

# Catalogue

Contactor product

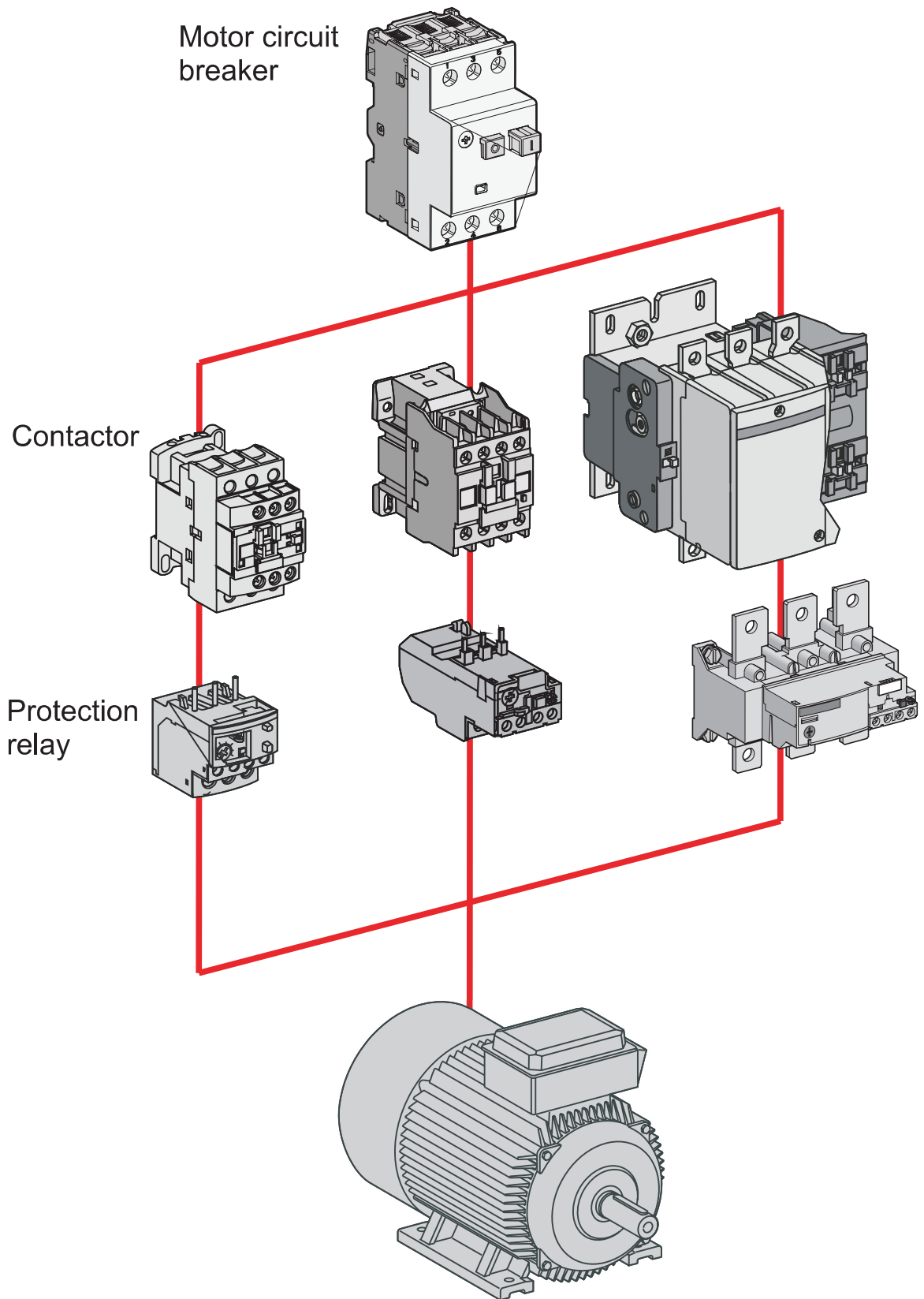
---

Wenzhou Xucky Electric Co.,Ltd

[www.xucky.com](http://www.xucky.com)



# Motor Control and Protection



# CJX2 CONTACTOR

## 1. GENERAL

- 1.1 Certificates: CE;
- 1.2 Electric ratings: AC50/60Hz, 690V, up to 95A;
- 1.3 Application: remote making & breaking circuits, protect circuit from over-load when assembling with thermal over-load relay, frequent start-up and control of AC motor;
- 1.4 Utilization category: AC-3, AC-4;
- 1.5 Altitude:  $\leq 2000\text{m}$ ;
- 1.6 Ambient temperature:  $-5^{\circ}\text{C} \sim +40^{\circ}\text{C}$ ;
- 1.7 Mounting category: III;
- 1.8 Mounting conditions: inclination between the mounting plane and the vertical plane should not exceed  $\pm 5^{\circ}$  ;
- 1.9 Standard: IEC/EN 60947-4-1.



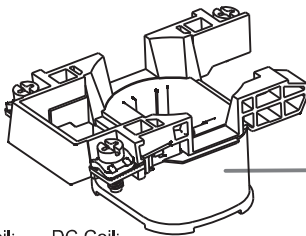
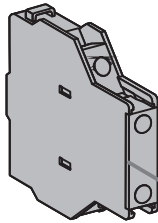
## 2. TECHNICAL DATA

Items	Model		CJX2-09 (Z)	CJX2-12 (Z)	CJX2-18 (Z)	CJX2-25 (Z)	CJX2-32 (Z)
Pole			3 / 4	3 / 4	3	3 / 4	3
Auxiliary Contact			1NO/1NC	1NO/1NC	1NO/1NC	1NO/1NC	1NO/1NC
Rated conventional heating current (A) AC-1			20	20	30	40	50
Rated operational current (A)	380/400V	AC-3	9	12	18	25	32
		AC-4	3.5	5	7.7	8.5	12
	660/690V	AC-3	6.6	8.9	12	18	21
		AC-4	1.5	2	3.8	4.4	7.5
Rated insulation voltage (V AC)			690	690	690	690	690
Power of controlled 3-phase cage motor (AC-3)	kW	220/230V AC	2.2	3	4	5.5	7.5
		380/415V AC	4	5.5	7.5	11	15
		660/690V AC	5.5	7.5	10	15	18.5
AC coil (V)			24,36,48,110,127,220,240,380,415,440,480,500,600				
DC coil (V)			24,36,48,110,220				

Items	Model		CJX2-40 (Z)	CJX2-50 (Z)	CJX2-65 (Z)	CJX2-80 (Z)	CJX2-95 (Z)
Pole			3 / 4	3 / 4	3 / 4	3 / 4	3 / 4
Auxiliary Circuit Cat:AC-15,Ue=415V Ie=0.95A Ith=10A			1NO+1NC	1NO+1NC	1NO+1NC	1NO+1NC	1NO+1NC
Rated conventional heating current (A) AC-1			60	80	80	125	125
Rated operational current (A)	380/400V	AC-3	40	50	65	80	95
		AC-4	18.5	24	28	37	44
	660/690V	AC-3	34	39	42	49	49
		AC-4	9	12	14	17.3	21.3
Rated insulation voltage (V AC)			690	690	690	690	690
Power of controlled 3-phase cage motor (AC-3)	kW	220/230V AC	11	15	18.5	22	25
		380/415V AC	18.5	22	30	37	45
		660/690V AC	30	37	37	45	45
AC coil (V)			24,36,48,110,127,220,240,380,415,440,480,500,600				
DC coil (V)			24,36,48,110,220				

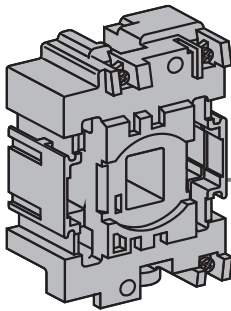
### 3.ACCESSORIES

Instantaneous auxiliary contact blocks:  
F8-11  
F8-20

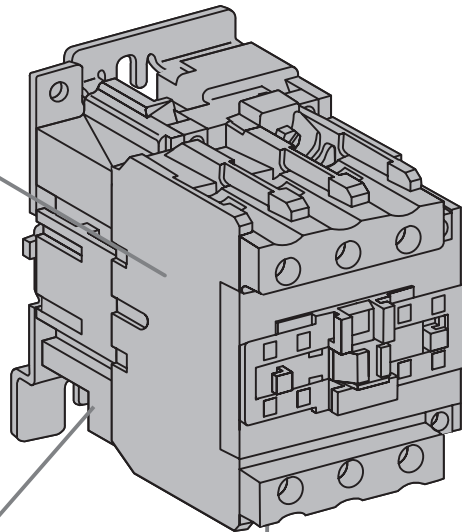
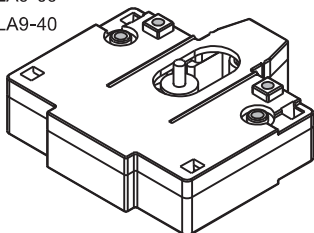


AC Coil: LX1-D2  
LX1-D4  
LX1-D6  
DC Coil: LX4-D2  
LX4-D4  
LX4-D6  
LX4-D7

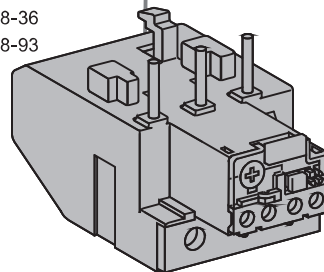
AC Coil:  
LX2-D6



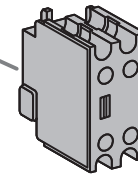
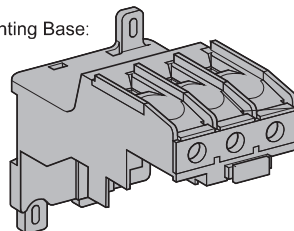
Mechanical interlocking:  
LA9-09  
LA9-40



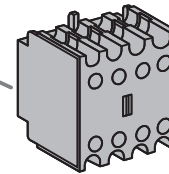
Thermal Relay:  
JR28-25  
JR28-36  
JR28-93



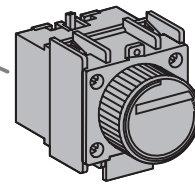
Thermal Relay Mounting Base:  
LA7-D1064  
LA7-D2064  
LA7-D3064



Instantaneous auxiliary contact blocks:  
F4-11  
F4-20  
F4-02

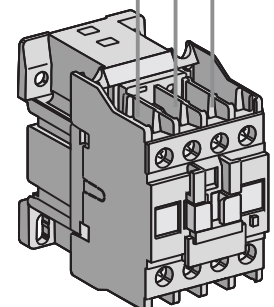
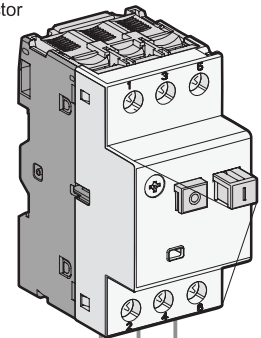


Instantaneous auxiliary contact blocks:  
F4-22  
F4-40  
F4-04  
F4-31  
F4-13



Time delay auxiliary contact blocks :  
F5-T0 0.1s~3s  
F5-T2 0.1s~30s  
F5-T4 10s~180s  
F5-D0 0.1s~3s  
F5-D2 0.1s~30s  
F5-D4 10s~180s

Motor protector  
GV2-M  
GV2-ME  
GV2-RS  
GV2-P  
GV3-M  
GV3-ME



# CJX2-F CONTACTOR

## 1. GENERAL

- 1.1 Certificates: CE;
- 1.2 Electric ratings: AC50/60Hz, 690V, up to 1000A ;
- 1.3 Application: remote making & breaking circuits, protect circuit from over-load when assembling with thermal over-load relay, frequent start-up and control of AC motor;
- 1.4 Utilization category: AC-3, AC-4;
- 1.5 Altitude:  $\leq 2000\text{m}$ ;
- 1.6 Ambient temperature:  $-5^{\circ}\text{C} \sim +40^{\circ}\text{C}$ ;
- 1.7 Mounting category: III;
- 1.8 Mounting conditions: inclination between the mounting plane and the vertical plane should not exceed  $\pm 5^{\circ}$  ;
- 1.9 Standard: IEC/EN 60947-4-1.



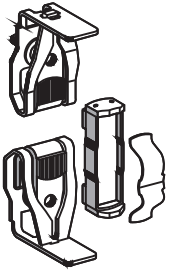
## 2. TECHNICAL DATA

Items	Model		CJX2-F115	CJX2-F150	CJX2-F185	CJX2-F225	CJX2-F265	CJX2-F330
Pole			3 / 4	3 / 4	3 / 4	3 / 4	3 / 4	3 / 4
Rated conventional heating current (A) AC-1			200	200	275	280	350	360
Rated operational current (A)	380/400V	AC-3	115	150	185	225	265	330
		AC-4	50	65	75	85	100	124
	660/690V	AC-3	70	90	108	115	170	190
		AC-4	25	32	38	40	47	60
Rated insulation voltage (V AC)			690	690	690	690	690	690
Power of controlled 3-phase cage motor (AC-3)	kW	380/415V AC	55	75	90	110	132	160
		660/690V AC	80	100	110	140	160	220
AC coil (V)			110,127,220,240,380,415,440,480,500,600					

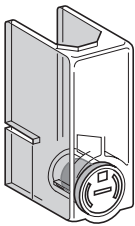
Items	Model		CJX2-F400	CJX2-F500	CJX2-F630	CJX2-F800	CJX2-F780	CJX2-F1000
Pole			3 / 4	3 / 4	3 / 4	3 / 4	3 / 4	3 / 4
Rated conventional heating current (A) AC-1			430	580	850	850	1200	1200
Rated operational current (A)	380/400V	AC-3	400	500	630	800	780	1000
		AC-4	150	185	188	195	240	-
	660/690V	AC-3	235	290	360	486	-	-
		AC-4	72	85	170	-	-	-
Rated insulation voltage (V AC)			690	690	690	690	690	690
Power of controlled 3-phase cage motor (AC-3)	kW	380/415V AC	200	250	335	400	400	500
		660/690V AC	280	330	450	475	475	670
AC coil (V)			110,127,220,240,380,415,440,480,500,600					

## CJX2-F CONTACTOR

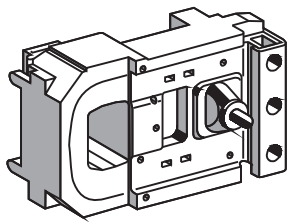
### 3.ACCESSORIES



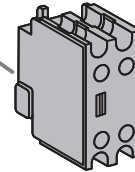
Sets of contacts:  
 LA5-FF431  
 LA5-FG431  
 LA5-FH431  
 LX5-F400803  
 LX5-F500803  
 LX5-F630803  
 LX5-F800803  
 LX5-F780803



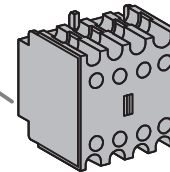
Power terminal protection  
 shrouds:  
 LA9-F701  
 LA9-F702  
 LA9-F703  
 LA9-F704



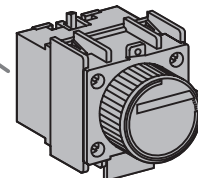
Thermal Relay :  
 LR9-F5357  
 LR9-F5363  
 LR9-F5367  
 LR9-F5369  
 LR9-F5371  
 LR9-F7375  
 LR9-F7379  
 LR9-F7381



Instantaneous auxiliary  
 contact blocks:  
 F4-11  
 F4-20  
 F4-02

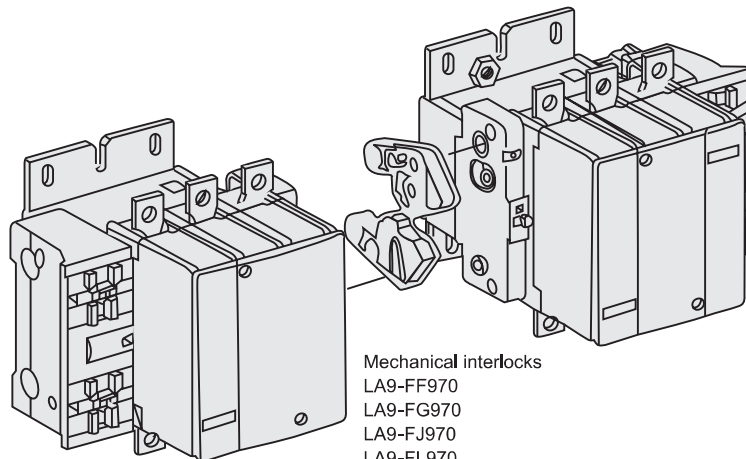


Instantaneous auxiliary  
 contact blocks:  
 F4-22  
 F4-40  
 F4-04  
 F4-31  
 F4-13



Time delay auxiliary  
 contact blocks :  
 F5-T0 0.1s~3s  
 F5-T2 0.1s~30s  
 F5-T4 10s~180s  
 F5-D0 0.1s~3s  
 F5-D2 0.1s~30s  
 F5-D4 10s~180s

AC Coil:	AC Coil:
LX1-FF	LX9-FF
LX1-FG	LX9-FG
LX1-FH	LX9-FH
LX1-FJ	LX9-FJ
LX1-FK	LX9-FK
LX1-FL	LX9-FL
LX1-FX	LX9-FX



Mechanical interlocks  
 LA9-FF970  
 LA9-FG970  
 LA9-FJ970  
 LA9-FL970

# CJX2-D

## CONTACTOR

### 1. GENERAL

- 1.1 Certificates: CE;
- 1.2 Electric ratings: AC50/60Hz, 690V, up to 620A ;
- 1.3 Application: remote making & breaking circuits, protect circuit from over-load when assembling with thermal over-load relay, frequent start-up and control of AC motor;
- 1.4 Utilization category: AC-3, AC-4;
- 1.5 Altitude:  $\leq 2000\text{m}$ ;
- 1.6 Ambient temperature:  $-5^{\circ}\text{C} \sim +40^{\circ}\text{C}$ ;
- 1.7 Mounting category: III;
- 1.8 Mounting conditions: inclination between the mounting plane and the vertical plane should not exceed  $\pm 5^{\circ}$  ;
- 1.9 Standard: IEC/EN 60947-4-1.



### 2. TECHNICAL DATA

Items	Model		CJX2-D09	CJX2-D12	CJX2-D18	CJX2-D25	CJX2-D32
Pole			3 / 4	3 / 4	3 / 4	3 / 4	3 / 4
Auxiliary Contact			1NO+1NC	1NO+1NC	1NO+1NC	1NO+1NC	1NO+1NC
Rated conventional heating current (A) AC-1			20	20	30	40	50
Rated operational current (A)	380/400V	AC-3	9	12	18	25	32
		AC-4	3.5	5	7.7	8.5	12
	660/690V	AC-3	6.6	8.9	12	18	21
		AC-4	1.5	2	3.8	4.4	7.5
Rated insulation voltage (V AC)			690	690	690	690	690
Power of controlled 3-phase cage motor (AC-3)	kW	220/230V AC	2.2	3	4	5.5	7.5
		380/415V AC	4	5.5	7.5	11	15
		660/690V AC	5.5	7.5	10	15	18.5
AC coil (V)			24,36,48,110,127,220,240,380,415,440,480,500,600				
DC coil (V)			24,36,48,110,220				

Items	Model		CJX2-D40	CJX2-D50	CJX2-D65	CJX2-D80	CJX2-D95
Pole			3 / 4	3 / 4	3 / 4	3 / 4	3 / 4
Auxiliary Circuit Cat:AC-15,Ue=415V Ie=0.95A Ith=10A			1NO+1NC	1NO+1NC	1NO+1NC	1NO+1NC	1NO+1NC
Rated conventional heating current (A) AC-1			60	80	80	110	110
Rated operational current (A)	380/400V	AC-3	40	50	65	80	95
		AC-4	18.5	24	28	37	44
	660/690V	AC-3	34	39	42	49	49
		AC-4	9	12	14	17.3	21.3
Rated insulation voltage (V AC)			690	690	690	690	690
Power of controlled 3-phase cage motor (AC-3)	kW	220/230V AC	11	15	18.5	22	25
		380/415V AC	18.5	22	30	37	45
		660/690V AC	30	37	37	45	45
AC coil (V)			24,36,48,110,127,220,240,380,415,440,480,500,600				
DC coil (V)			24,36,48,110,220				



## CJX2-D CONTACTOR



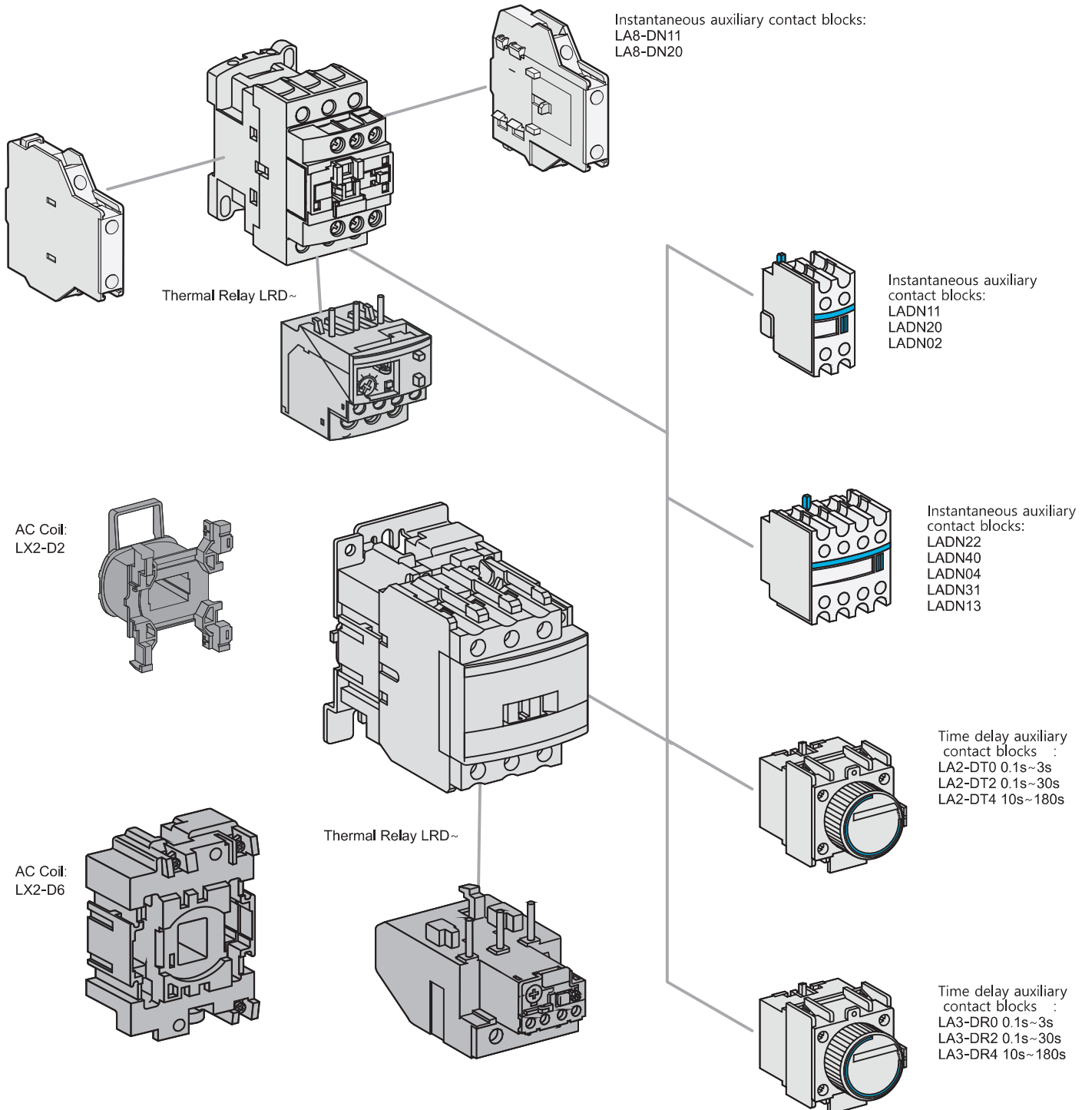
Items	Model		CJX2-D115	CJX2-D150	CJX2-D170	CJX2-D205	CJX2-D245
Pole			3	3	3	3 / 4	3 / 4
Rated conventional heating current (A) AC-1			200	200	200	275	280
Rated operational current (A)	380/400V	AC-3	115	150	170	205	245
		AC-4	50	65	70	75	85
	660/690V	AC-3	70	90	100	108	115
		AC-4	25	32	35	38	40
Rated insulation voltage (V AC)			690	690	690	690	690
Power of controlled 3-phase cage motor (AC-3)	kW	380/415V AC	55	75	75	90	110
		660/690V AC	80	100	100	110	140
AC coil (V)			110,127,220,240,380,415,440,480,500,600				

Items	Model		CJX2-D300	CJX2-D410	CJX2-D475	CJX2-D620
Pole			3 / 4	3 / 4	3 / 4	3 / 4
Rated conventional heating current (A) AC-1			360	430	580	850
Rated operational current (A)	380/400V	AC-3	300	410	475	620
		AC-4	124	150	185	188
	660/690V	AC-3	190	235	290	360
		AC-4	60	72	85	170
Rated insulation voltage (V AC)			690	690	690	690
Power of controlled 3-phase cage motor (AC-3)	kW	380/415V AC	160	200	250	335
		660/690V AC	220	280	330	450
AC coil (V)			110,127,220,240,380,415,440,480,500,600			

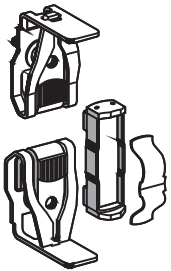


# CJX2-D CONTACTOR

## 3.ACCESSORIES

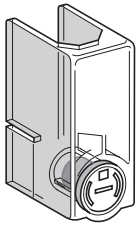


## CJX2-D CONTACTOR



Sets of contacts:

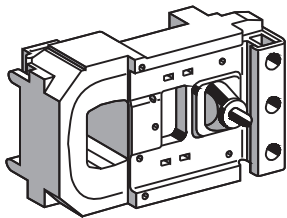
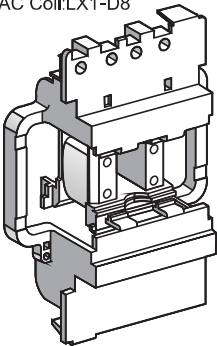
- LA5-FF431
- LA5-FG431
- LA5-FH431
- LX5-F400803
- LX5-F500803
- LX5-F630803
- LX5-F800803
- LX5-F780803



Power terminal protection shrouds:

- LA9-F701
- LA9-F702
- LA9-F703
- LA9-F704

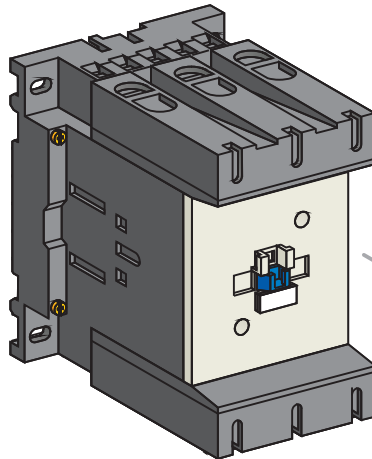
AC Coil: LX1-D8



Thermal Relay :

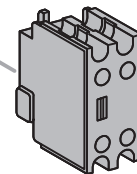
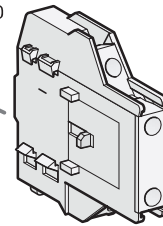
- LR9-F5357
- LR9-F5363
- LR9-F5367
- LR9-F5369
- LR9-F5371
- LR9-F7375
- LR9-F7379
- LR9-F7381

- |          |          |
|----------|----------|
| AC Coil: | AC Coil: |
| LX1-FF   | LX9-FF   |
| LX1-FG   | LX9-FG   |
| LX1-FH   | LX9-FH   |
| LX1-FJ   | LX9-FJ   |
| LX1-FK   | LX9-FK   |
| LX1-FL   | LX9-FL   |
| LX1-FX   | LX9-FX   |



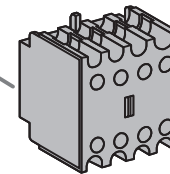
Instantaneous auxiliary contact blocks:

- LA8-DN11
- LA8-DN20



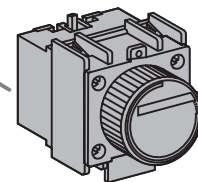
Instantaneous auxiliary contact blocks:

- F4-11
- F4-20
- F4-02



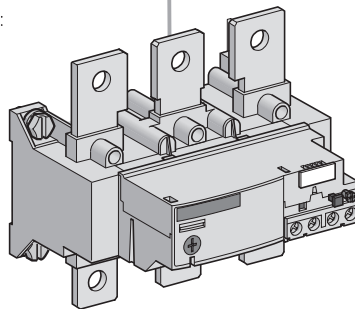
Instantaneous auxiliary contact blocks:

- F4-22
- F4-40
- F4-04
- F4-31
- F4-13



Time delay auxiliary contact blocks :

- F5-T0 0.1s~3s
- F5-T2 0.1s~30s
- F5-T4 10s~180s
- F5-D0 0.1s~3s
- F5-D2 0.1s~30s
- F5-D4 10s~180s



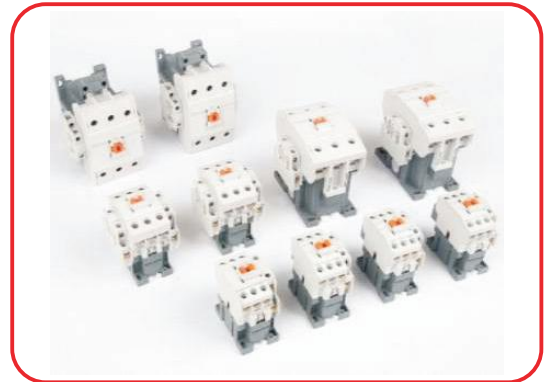
Mechanical interlocks

- LA9-FF970
- LA9-FG970
- LA9-FJ970
- LA9-FL970

# CJX3-G CONTACTOR

## 1. GENERAL

- 1.1 Certificates: CE;
- 1.2 Electric ratings: AC50/60Hz, 690V, up to 800A ;
- 1.3 Application: remote making & breaking circuits, protect circuit from over-load when assembling with thermal over-load relay, frequent start-up and control of AC motor;
- 1.4 Utilization category: AC-3, AC-4;
- 1.5 Altitude: ≤2000m;
- 1.6 Ambient temperature: -5℃~+40℃;
- 1.7 Mounting category: III;
- 1.8 Mounting conditions: inclination between the mounting plane and the vertical plane should not exceed ±5° ;
- 1.9 Standard: IEC/EN 60947-4-1.



## 2. TECHNICAL DATA

Items	Model	CJX3-G09 (Z)	CJX3-G12 (Z)	CJX3-G18 (Z)	CJX3-G22 (Z)	CJX3-G32 (Z)	
Pole		3	3	3	3	3	
Auxiliary Contact		1NO+1NC	1NO+1NC	1NO+1NC	1NO+1NC	0NO/0NC	
Rated conventional heating current (A) AC-1		20	20	30	40	50	
Rated operational current (A)	AC-3	220/240V	11	13	18	22	32
		380/415V	9	12	18	22	32
		500/500V	7	12	13	22	28
		690V	5	9	9	18	20
Rated insulation voltage (V AC)		690	690	690	690	690	
Power of controlled 3-phase cage motor ( kW )	AC-3	220/240V	2.5	3.5	4.5	5.5	7.5
		380/415V	4	5.5	7.5	11	15
		500/500V	4	7.5	7.5	15	18.5
		690V	4	7.5	7.5	15	18.5
AC coil ( V )		24,36,48,110,127,220,240,380,415,440,480,500,600					
DC coil ( V )		24,36,48,110,220					

Items	Model	CJX3-G40 (Z)	CJX3-G50 (Z)	CJX3-G65 (Z)	CJX3-G75 (Z)	CJX3-G85 (Z)	
Pole		3	3	3	3	3	
Auxiliary Contact		0NO/0NC	0NO/0NC	0NO/0NC	0NO/0NC	0NO/0NC	
Rated conventional heating current (A) AC-1		60	80	100	110	125	
Rated operational current (A)	AC-3	220/240V	40	50	65	75	85
		380/415V	40	50	65	75	85
		500/500V	32	43	60	64	75
		690V	23	28	35	42	45
Rated insulation voltage (V AC)		690	690	690	690	690	
Power of controlled 3-phase cage motor ( kW )	AC-3	220/240V	11	15	18.5	22	25
		380/415V	18.5	22	30	37	45
		500/500V	22	30	33	37	45
		690V	22	30	33	37	45
AC coil ( V )		24,36,48,110,127,220,240,380,415,440,480,500,600					
DC coil ( V )		24,36,48,110,220					



Items		Model	CJX3-G100	CJX3-G125	CJX3-G150	CJX3-G180	CJX3-G220
Pole			3	3	3	3	3
Auxiliary Contact			1NO+1NC	1NO+1NC	1NO+1NC	1NO+1NC	0NO/0NC
Rated conventional heating current (A) AC-1			160	160	210	230	275
Rated operational current (A)	AC-3	220/240V	100	125	150	180	250
		380/415V	100	125	150	180	250
		500/500V	85	90	140	180	200
		690V	65	70	100	120	150
Rated insulation voltage (V AC)			690	690	690	690	690
Power of controlled 3-phase cage motor ( kW )	AC-3	220/240V	30	37	45	55	75
		380/415V	55	60	75	90	132
		500/500V	55	60	90	110	132
		690V	55	60	90	110	132
AC coil ( V )			110,127,220,240,380,415,440,480,500,600				
DC coil ( V )			110,220				

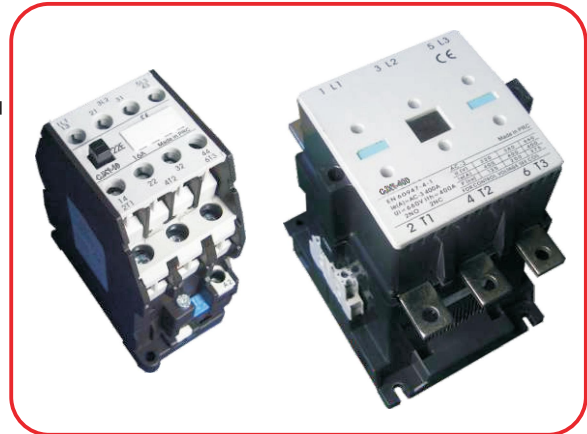
Items		Model	CJX3-G300	CJX3-G400	CJX3-G600	CJX3-G800	
Pole			3	3	3	3	
Auxiliary Contact			0NO/0NC	0NO/0NC	0NO/0NC	0NO/0NC	
Rated conventional heating current (A) AC-1			350	450	660	850	
Rated operational current (A)	AC-3	220/240V	300	400	600	800	
		380/415V	300	400	600	800	
		500/500V	250	350	500	720	
		690V	220	300	420	630	
Rated insulation voltage (V AC)			690	690	690	690	
Power of controlled 3-phase cage motor ( kW )	AC-3	220/240V	90	125	190	220	
		380/415V	160	220	330	440	
		500/500V	160	225	330	550	
		690V	200	250	330	500	
AC coil ( V )			110,127,220,240,380,415,440,480,500,600				
DC coil ( V )			110,220				

# CJX1

## CONTACTOR

### 1. GENERAL

- 1.1 Certificates: CE;
- 1.2 Electric ratings: AC50/60Hz, 690V, up to 95A;
- 1.3 Application: remote making & breaking circuits, protect circuit from over-load when assembling with thermal over-load relay, frequent start-up and control of AC motor;
- 1.4 Utilization category: AC-3, AC-4;
- 1.5 Altitude:  $\leq 2000\text{m}$ ;
- 1.6 Ambient temperature:  $-5^{\circ}\text{C} \sim +40^{\circ}\text{C}$ ;
- 1.7 Mounting category: III;
- 1.8 Mounting conditions: inclination between the mounting plane and the vertical plane should not exceed  $\pm 5^{\circ}$  ;
- 1.9 Standard: IEC/EN 60947-4-1.



### 2. TECHNICAL DATA

Items	Model	CJX1-9	CJX1-12	CJX1-16	CJX1-22	CJX1-32	CJX1-38	CJX1-45	
Rated conventional heating current (A) AC-1		20	20	30	30	45	45	70	
Rated operational current (A)	380/400V	AC-3	9	12	16	22	32	38	45
		AC-4	3.3	4.3	7.7	8.5	15.6	18.5	22
Rated insulation voltage (V AC)		660	660	660	660	660	660	1000	
Power of controlled 3-phase cage motor (AC-3)	kW	220/230V AC	2.4	3.3	4	6.1	8.5	11	15
		380/400V AC	4	5.5	7.5	11	15	18.5	22
		660/690V AC	5.5	7.5	11	11	23	23	39

Items	Model	CJX1-63	CJX1-75	CJX1-85	CJX1-110	CJX1-140	CJX1-170	CJX1-205	
Rated conventional heating current (A) AC-1		70	90	90	150	150	180	220	
Rated operational current (A)	380/400V	AC-3	63	75	85	110	140	170	205
		AC-4	28	34	42	54	68	75	96
Rated insulation voltage (V AC)		1000	1000	1000	1000	1000	1000	1000	
Power of controlled 3-phase cage motor (AC-3)	kW	220/230V AC	18.5	22	26	37	43	55	64
		380/400V AC	30	37	45	55	75	90	110
		660/690V AC	55	67	67	100	100	156	156

Items	Model	CJX1-250	CJX1-300	CJX1-400	CJX1-475	CJX1F-9	CJX1F-12	CJX1F-16	CJX1F-22	CJX1F-32	
Rated conventional heating current (A) AC-1		300	300	400	550	20	20	30	30	45	
Rated operational current (A)	380/400V	AC-3	250	300	400	475	9	12	16	22	32
		AC-4	110	125	150	150	3.3	4.3	7.7	8.5	15.6
Rated insulation voltage (V AC)		1000	1000	1000	1000	660	660	660	660	660	
Power of controlled 3-phase cage motor (AC-3)	kW	220/230V AC	78	93	125	144	2.4	3.3	4	6.1	8.5
		380/400V AC	132	160	200	250	4	5.5	7.5	11	15
		660/690V AC	235	235	375	375	5.5	7.5	11	11	23

# CJ19

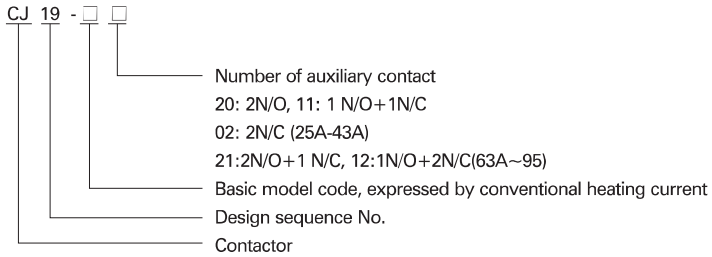
CONTACTOR FOR POWER FACTOR CORRECTION

## 1. General

1.1 Electric ratings: AC50/60Hz, up to 400V;

1.2 Standard: IEC/EN 60947-4-1.

## 2. Type Designation



## 3. Normal Operation Conditions

3.1 Ambient temperature:  $-5^{\circ}\text{C}\sim+40^{\circ}\text{C}$ , the average during 24 hours should not exceed  $+35^{\circ}\text{C}$ .

3.2 Altitude:  $\leq 2000\text{m}$ ;

3.3 Atmosphere conditions: At mounting site, relative humidity not exceed 50% at the max temperature of  $+40^{\circ}\text{C}$ , higher relative humidity is allowable under lower temperature. For example, RH could be 90% at  $+20^{\circ}\text{C}$ , special measures should be taken to occurrence of dews.

3.4 Pollution degree: 3

3.5 Installation category: III

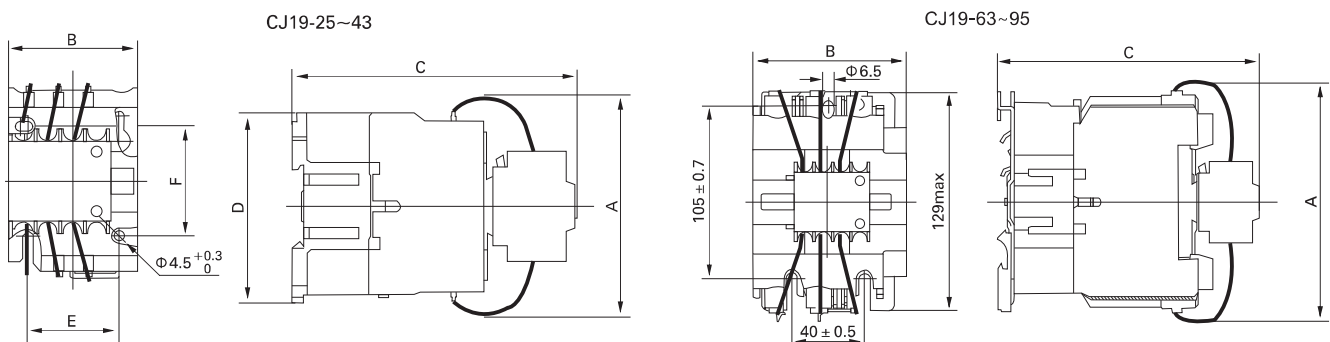
3.6 Installation conditions: the inclination between installation plane and vertical plane is within  $\pm 50^{\circ}$ .

3.7 Impact and shake: the products should locate in the places where there are no obvious impact and shake.

## 4. Technical Data

Model	CJ19-25	CJ 19-32	CJ 19-43	CJ 19-63	CJ19-95
I <sub>e</sub> Rated current I <sub>e</sub> (400V) A	17	23	29	43	63
Power of controlled capacitor(kVar)	220/230V AC	6	9	15	22
	380/400V AC	12	18	20	40
Rated insulation Voltage U <sub>i</sub> (V)	500				
Rated operational Voltage U <sub>e</sub> (V AC)	380				
Restrained surge capacity	20I <sub>e</sub>				

## 5. Overall and mounting dimensions(mm)



Model	A <sub>max</sub>	B <sub>max</sub>	C <sub>max</sub>	D <sub>max</sub>	E	F	Note
CJ19-25	80	47	124	76	34/35	50/60	Screw mount/ 35mm rail mount
CJ19-32	90	58	132	86	40	48	
CJ19-43	90	58	136	86	40	48	
CJ19-63	132	79	150				
CJ19-95	135	87	158				

## CJX2-K CONTACTOR

### 1. GENERAL

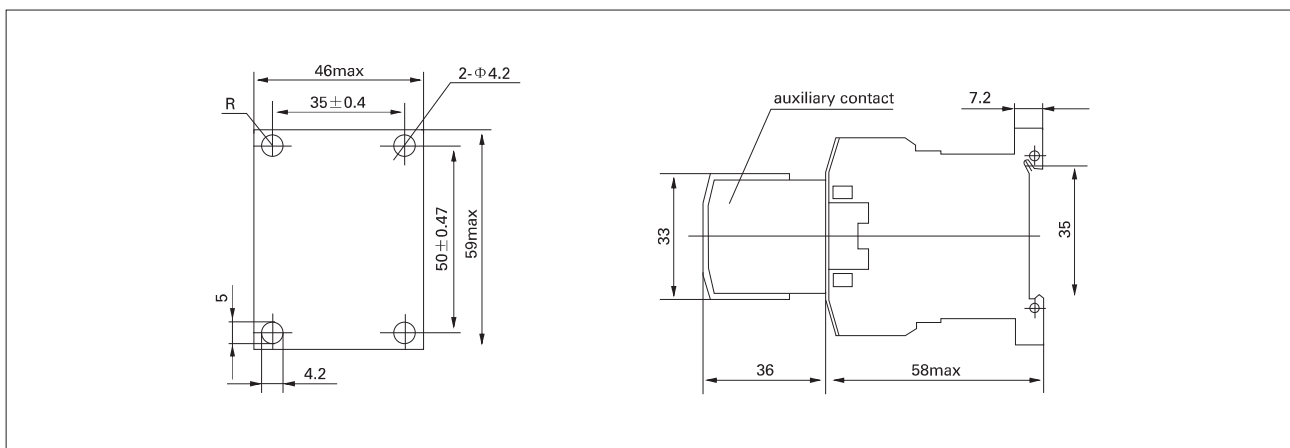
- 1.1 Certificates: CE;
- 1.2 Electric ratings: AC50/60Hz, 690V, up to 12A;
- 1.3 Application: remote making & breaking circuits, protect circuit from over-load when assembling with thermal over-load relay, frequent start-up and control of AC motor;
- 1.4 Utilization category: AC-3,
- 1.5 Altitude:  $\leq 2000\text{m}$ ;
- 1.6 Ambient temperature:  $-5^{\circ}\text{C} \sim +40^{\circ}\text{C}$ ;
- 1.7 Mounting category: III;
- 1.8 Mounting conditions: inclination between the mounting plane and the vertical plane should not exceed  $\pm 5^{\circ}$  ;
- 1.9 Standard: IEC/EN 60947-4-1.



### 2. TECHNICAL DATA

Items		Model	CJX2-K06 (Z)		CJX2-K09 (Z)		CJX2-K12 (Z)	
Pole			3	4	3	4	3	4
Auxiliary Contact			1NO/1NC	-	1NO/1NC	-	1NO/1NC	-
Rated conventional heating current (A) AC-1			20		20		20	
Rated operational current (A)	380/400V	AC-3	6		9		12	
		AC-4	-		-		-	
	660/690V	AC-3	3.8		5		5	
		AC-4	-		-		-	
Rated insulation voltage (V AC)			690		690		690	
Power of controlled 3-phase cage motor (AC-3)	kW	220/230V AC	1.5		2.2		4	
		380/415V AC	2.2		4		5.5	
		660/690V AC	3		4		4	
AC coil (V)			24,36,48,110,127,220,240,380,415					
DC coil (V)			24,36,48,110,220					

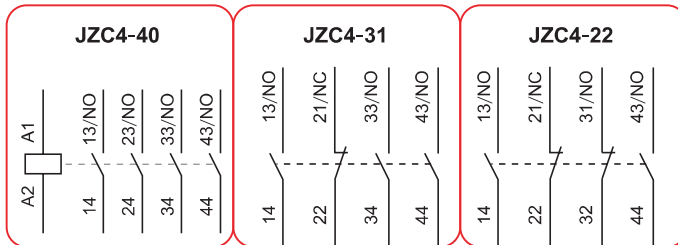
### 3. OVERALL AND MOUNTING DIMENSIONS (MM)





## JZC4

### Control relay



### Control circuit characteristics

<b>Type</b>		JZC4
Rated control circuit voltage (Uc)	<b>V</b>	24...440
Control voltage limits	Operation	Coil type: 50 Hz
	Drop-out	
Average consumption at 20 °C and at Uc	~ 50 Hz	<b>VA</b>
		Maintain: 8

### Characteristics of built in instantaneous contacts

Number of contacts		<b>V</b>	4	
Rated operational voltage (Ue)	Up to	<b>V</b>	690	
Rated insulation voltage (Ui)	Conforming to IEC 60947-5-1		690	
Conventional thermal current (Ith)	Operational environment temperature ≤ 40 °C	<b>A</b>	10	
Operating current frequency		<b>Hz</b>	50	
Minimum switching capacity	U min	<b>V</b>	17	
	I min	<b>mA</b>	5	
Short-circuit protection	Conforming to IEC 60947-5-1	<b>A</b>	gG fuse: 10 A	
Rated making capacity	Conforming to IEC 60947-5-1	<b>A</b>	~: 140	
Short-time rating	Permissible for	500 ms	<b>A</b>	120
		100 ms		140
Insulation resistance		<b>M</b>	> 10	
Non-overlap time	Guaranteed non-overlap between N/C and N/O contacts	<b>ms</b>	1.5 on energisation and on de-energisation	
Tightening torque	Philips n°2	<b>N.m</b>	1.2	
Non-overlap distance			Contact F4** connecting with auxiliary contacts	

### Rated operational power of contacts (conforming to IEC 60947-5-1)

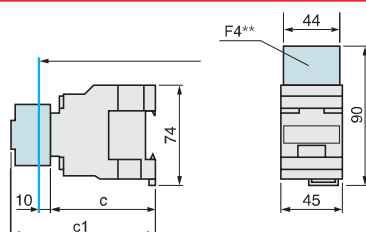
#### a.c. supply, categories AC-14 and AC-15

Electrical durability ( valid for up to 3600 operating cycles/hour ) on an inductive load such as the coil of an electromagnet:  
making current (  $\cos\phi$  0.7 ) 10 times the power broken (  $\cos\phi$  0.4 ).

#### d.c. supply, categories DC-13

Electrical durability ( valid for up to 1200 operating cycles/hour ) on an inductive load such as the coil of an electromagnet, without economy resistor, the time constant increasing with the power.

### Mounting dimension



c	80
c1 with F4**	113

# QCX2

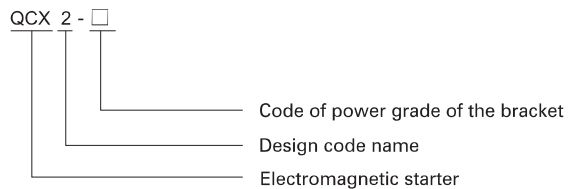
## SERIES DOL ELECTROMAGNETIC STARTER

### 1. General

1.1 QCX2series electromagnetic starter ("starter" for short hereinafter)applies mainly to circuit with AC current of 50Hz (or 60Hz), rated operational voltage of 690V and rated controlled power up to 45KW (current up to 95A) for using to control the direct start and halt of the electromotor to protect the motor from overload and phase failure.

1.2 The starter conforms to standards IEC/EN60947-4-1.

### 2. Type Designation



### 3. Technical Data

Altitude: not exceeding 2000m.

Temperature of ambient air: -5℃ ~+40℃

Rated control supply voltage( AC 50Hz): 36V, 110V, 230V, 400V.

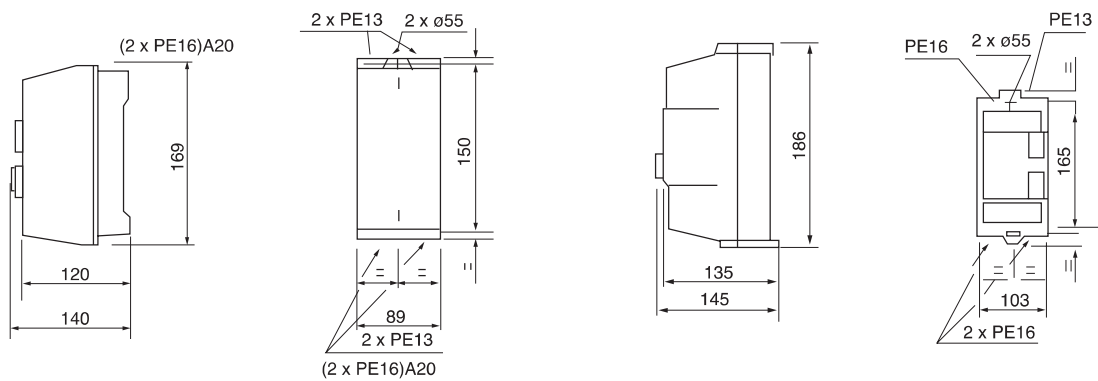
Mechanical life: 1,000,000 circles.

Electric life: 500,000 circles.

Table 1 Basic Model and main technical parameter of the starter

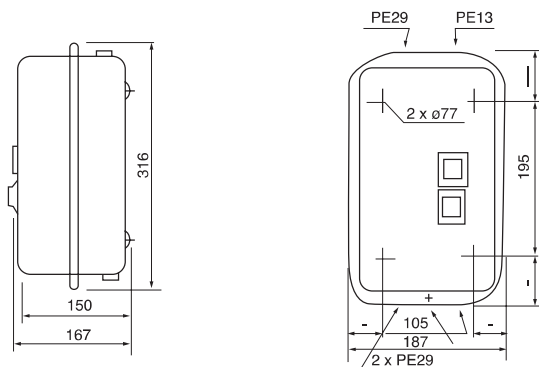
Model	Rated working current (A) AC-3	Maximum rated Power (kW) AC-3			Model of equipped AC: contactor	Tor matched	Range of setting current A
		220V	380V	660V			
QCX2-09	09	2.2	4	5.5	CJX2-09	JR28-25	1.0~1.6,1.6~2.5,2.5~4 4~6,5.5~8,7~10
QCX2-12	12	3	5.5	7.5	CJX2-12		9.0~13
QCX2-18	18	4	7.5	10	CJX2-18		12~18
QCX2-25	25	5.5	11	15	CJX2-25		17~25
QCX2-32	32	7.5	15	18.5	CJX2-32	JR28-36	23~32
QCX2-40	40	11	18.5	30	CJX2-40	JR28-93	30~40
QCX2-50	50	15	22	33	CJX2-50		37~50
QCX2-65	65	18.5	30	37	CJX2-65		48~65
QCX2-80	80	22	37	45	CJX2-80		63~80
QCX2-95	95	25	45	55	CJX2-95		80~93

#### 4. Overall and Mounting Dimension (mm)



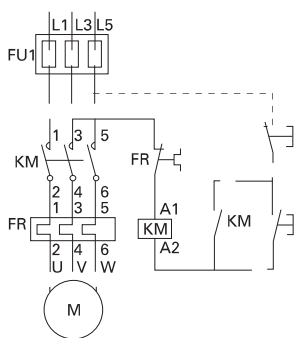
QCX2-09~18

QCX2-25~32

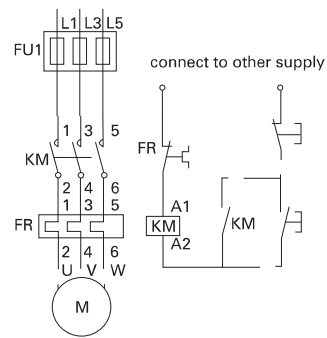


QCX2-40~95

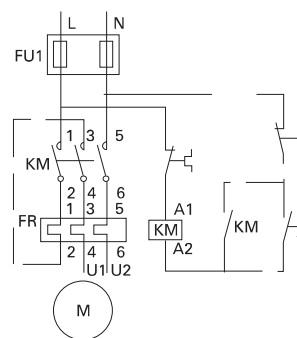
#### 5. Wiring Diagram



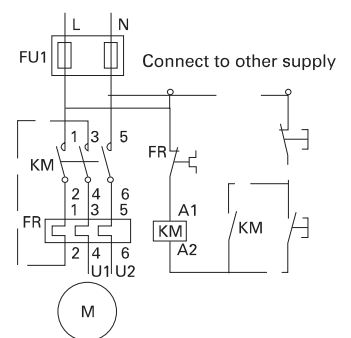
Control supply voltage is as the same as the main circuit voltage (three-phase)



Control supply voltage is not as the same as the main circuit voltage (three-phase)



Control supply voltage is as the same as the main circuit voltage (single-phase)

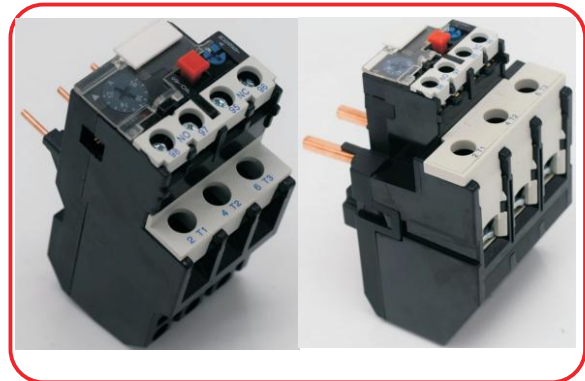
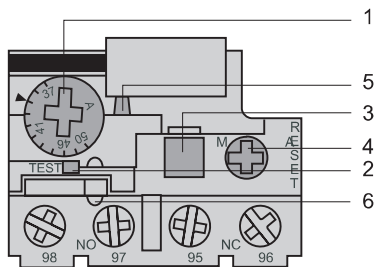


Control supply voltage is not as the same as the main circuit voltage (single-phase)

#### Presentation

3-pole thermal overload relays are designed to protect a.c. circuits and motors against:

- overloads
- phase failure
- excessively long starting times
- prolonged stalled rotor condition.



#### Description

3-pole thermal overload relays are designed to protect a.c. circuits and motors against overloads, phase failure, long starting times and prolonged stalling of the motor.

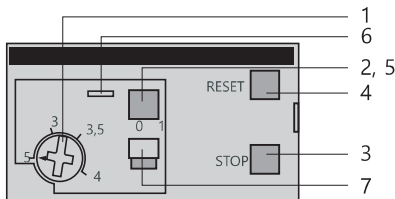
- 1 Adjustment dial  $I_r$ .
- 2 Test button.  
Operation of the Test button allows:
  - checking of control circuit wiring,
  - simulation of relay tripping (actuates both the N/O and N/C contacts).
- 3 Stop button. Actuates the N/C contact; does not affect the N/O contact.
- 4 Reset button.
- 5 Trip indicator.
- 6 Setting locked by sealing the cover.

Type	Rated or scale of rated current(A)	Rated current(A)	Model of contactor
JR28-25	0.1-0.16	0.16	9A
	0.16-0.25	0.25	9A
	0.25-0.4	0.4	9A
	0.4-0.63	0.63	9A
	0.63-1.0	1.0	9A
	1.0-1.6	1.6	9A
	1.6-2.5	2.5	9A
	2.5-4	4	9A
	4-6	6	9A
	5.5-8	8	9A
	7-10	10	12A
	9-13	13	18A
	12-18	18	18A
17-25	25	25A	
JR28-36	23-32	32	32A
	28-36	36	32A
JR28-93	30-40	40	40A
	37-50	50	50A
	48-65	65	65A
	55-70	70	80A
	63-80	80	80A
	80-93	93	95A
JR28-150	80-104	104	D115
	95-120	120	D115
	110-140	140	D150

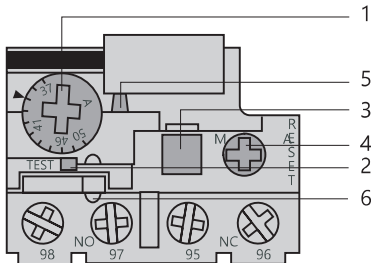
### Presentation

3-pole thermal overload relays are designed to protect a.c. circuits and motors against:

- overloads
- phase failure
- excessively long starting times
- prolonged stalled rotor condition.



LRD 01...35



LRD 33\*\*



### Description

3-pole thermal overload relays are designed to protect a.c. circuits and motors against overloads, phase failure, long starting times and prolonged stalling of the motor.

- 1 Adjustment dial  $I_r$ .
- 2 Test button.  
Operation of the Test button allows:
  - checking of control circuit wiring,
  - simulation of relay tripping (actuates both the N/O and N/C contacts).
- 3 Stop button. Actuates the N/C contact; does not affect the N/O contact.
- 4 Reset button.
- 5 Trip indicator.
- 6 Setting locked by sealing the cover.
- 7 Selector for manual or automatic reset.

Rated or scale of rated current(A)	aM(A)	gG(A)	Model of contactor	Model
0.1-0.16	0.25	2	D09-D38	LRD-01
0.16-0.25	0.5	2	D09-D38	LRD-02
0.25-0.4	1	2	D09-D38	LRD-03
0.4-0.63	1	2	D09-D38	LRD-04
0.63-1	2	4	D09-D38	LRD-05
1-1.6	2	4	D09-D38	LRD-06
1.6-2.5	4	6	D09-D38	LRD-07
2.5-4	6	10	D09-D38	LRD-08
4-6	8	16	D09-D38	LRD-10
5.5-8	12	20	D09-D38	LRD-12
7-10	12	20	D09-D38	LRD-14
9-13	16	25	D12-D38	LRD-16
12-18	20	35	D18-D38	LRD-21
16-24	25	50	D25-D38	LRD-22
23-32	40	63	D25-D38	LRD-32
32-38	50	80	D32-D38	LRD-35
17-25	25	50	D40-D95	LRD-3322
23-32	40	63	D40-D95	LRD-3353
30-40	40	100	D40-D95	LRD-3355
37-50	63	100	D40-D95	LRD-3357
48-65	63	100	D40-D95	LRD-3359
55-70	80	125	D40-D95	LRD-3361
63-80	80	125	D40-D95	LRD-3363
80-104	100	160	D40-D95	LRD-3365

## LR9-F

Overload relays

Electronic thermal overload relays for F contactors

### Presentation

TeSys LR9F electronic protection relays are especially suited to the operating conditions of motors.

They provide protection against:

- thermal overload of 3-phase or single-phase balanced or unbalanced circuits;
- phase failure and large phase unbalance,
- protracted starting times,
- prolonged stalled rotor condition.

LR9F electronic protection relays are mounted directly below an LC1 F type contactor. They cover a range from 30 to 630 A, in eight ratings.

The settings can be locked by sealing the transparent protective cover.

A reset button is mounted on the front of the relay.

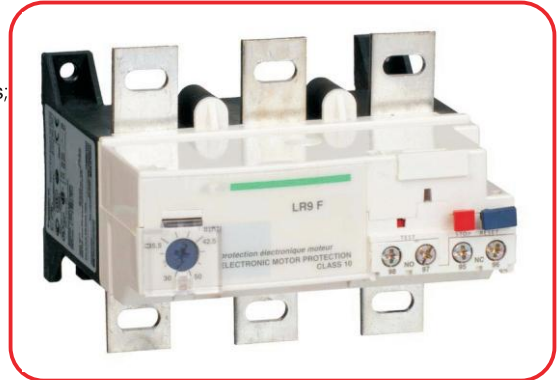
Two versions are available:

simplified version: class 10: LR9F\*3\*\*, class 20: LR9F\*5\*\*,

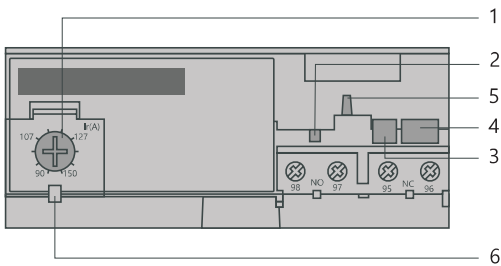
complete version: class 10, 10 A or class 20, selectable, conforming to

EN 60947-4-1: LR9F\*\*.

This latter version includes an alarm function which makes it possible to forestall tripping by load shedding.



Simplified version: class 10 or 20



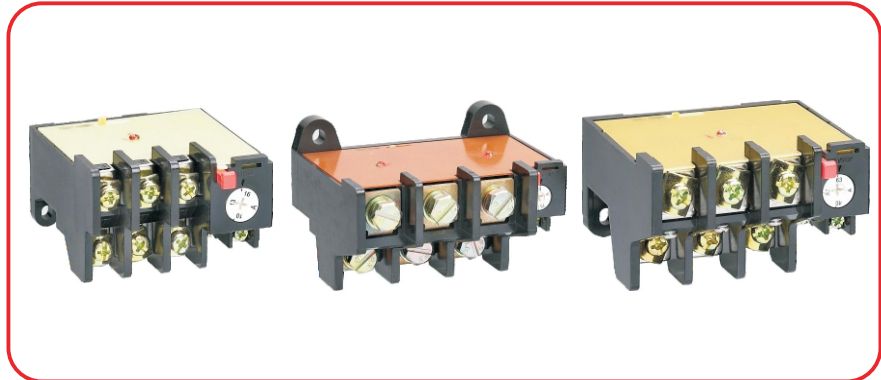
- 1 Ir adjustment dial
- 2 Test button
- 3 Stop button
- 4 Reset button
- 5 Trip indicator
- 6 Setting locked by sealing the cover

Rated or scale of rated current(A)	aM(A)	gG(A)	Model of contactor	Model
<b>10 class</b>				
30~ 50	50	80	F115- F185	LR9-F5357
48~80	80	125	F115- F185	LR9-F5363
60~100	100	200	F115- F185	LR9-F5367
90~150	160	250	F115- F185	LR9-F5369
132~220	250	315	F185- F400	LR9-F5371
200~330	400	500	F225- F500	LR9-F7375
300~500	500	800	F225- F500	LR9-F7379
380~630	630	800	F400- F630 F800	LR9-F7381
<b>20 class</b>				
30~ 50	50	80	F115- F185	LR9-F5557
48~80	80	125	F115- F185	LR9-F5563
60~100	100	200	F115- F185	LR9-F5567
90~150	160	250	F115- F185	LR9-F5569
132~220	250	315	F185- F400	LR9-F5571
200~330	400	500	F225- F500	LR9-F7575
300~500	500	800	F225- F500	LR9-F7579
380~630	630	800	F400- F630 F800	LR9-F7581

#### Presentation

3-pole thermal overload relays are designed to protect a.c. circuits and motors against:

- overloads
- phase failure
- excessively long starting times
- prolonged stalled rotor condition.



Item	Series No.	I/In		Operating time Tp	Test Condition
Overload protection	1	1.05		> 2h	Start from cold status
	2	1.2		≤ 2h	Start from heat status, right after item No.1
	3	1.5		≤ 2min	Start from heat status, right after item No.1
	4	7.2		2s < Tp ≤ 10s	Start from cold status
Phase failure protection	5	Any two phases	Another phase	> 2h	Start from cold status
		1.0	0.9		Start from cold status
	6	1.15	0	≤ 2h	Start from heat status, right after item No.5

Type	Rated or scale of rated current(A)	Rated current(A)	Model of contactor
JR36-20	0.25-0.35	0.35	9A
	0.32-0.5	0.5	9A
	0.45-0.72	0.72	9A
	0.68-1.1	1.1	9A
	1.0-1.6	1.6	9A
	1.5-2.4	2.4	9A
	2.2-3.5	3.5	9A
	3.2-5.0	5.0	9A
	4.5-7.2	7.2	9A
	6.8-11	11	12A
	10-16	16	18A
	14-22	22	25A
	20-32	32	32A
JR36-63	14-22	22	25A
	20-32	32	32A
	28-45	45	50A
	40-63	63	65A
JR28-160	40-63	63	65A
	53-85	85	95A
	75-120	120	115A
	100-160	160	150A