

# XUCKY

Because Of Science  
And Technology  
**So Safe**



## DISTRIBUTION BOX



# BRIEF INTRODUCTION

## 关于我们

>>> [www.selhot.com](http://www.selhot.com)

温州轩齐电气有限公司,是一家专业从事SN配电箱,VC配电箱,新梅兰TSM明暗装系列, HK系列, HT系列, TXM配电箱, HA系列, 新梅兰面板, VC面板, LGD明暗装系列, 防水器接线盒系列, 西班牙式接线盒, HPK明装系列, TML铁壳配电箱系列等产品的生产和销售。

自建立以来本公司致力于生产和销售电气设备的高新技术企业。拥有力量雄厚的技术, 设备先进的生产、检测手段齐全、市场营销等现代化经营模式, 拥有专业的技术团队, 为胜和的产品质量奠定了坚实的保障。产品销往全国各地, 出口东南亚和中东地区, 深受广大用户的信赖。

面对日益激烈的市场竞争和国际化的挑战, 坚持以“质量第一, 优质服务, 诚信为本”的企业宗旨, 立足高端科技, 着眼新的目标; 经过十多年的努力, 我公司已成为暗装配电箱行业的佼佼者。

本公司销售部座落于享有“温州模式的发祥地”、“中国电器之都”、“温州市第一强镇”等众多美誉的中国温州柳市的黄金地带, 交通便利。

竭诚欢迎海内外有识之士共同携手合作, 共创辉煌的明天。

◎ 企业成功的秘诀在于对人才、产品、服务三项品质的坚持。产品优良的秘诀在于控制每一道工序, 做好每一件产品。

The secret of business success lies in the persistence of three qualities: talent, product and service. The secret of good products is to control every process and make every product.



Wenzhou Xucky Electric Co., Ltd. who locates in LiuShi Town, WenZhou city of China, is the professional manufacturer of all kinds of Distribution Boxes, which including SN, SH series, VC series, TXM and TSM series iron type distribution box, TXM, LGD, HPK and HAG series plastic distribution box, HK, HT, and HA series water-proof distribution box, and kinds of special water-proof junction box, such as Spanish type, Europe type junction box, and so on .



As far as the company established, we own high and fabrication technique, advanced equipments special for producing and testing, a professional engineer team who have much experienced in designing and producing for many years. So, our distribution boxes could satisfy all different demands from markets both at home and abroad, and be very well received by customers from all over the world.

We always insist on "Quality is the first, Honesty is the base" as the tenet of our company, and we have been much experienced for distribution box , and aim to be the top brand in the near future.

# XUCKY

## THE PRODUCTION WORKSHOP

厂房车间



要想不断发展、创新、壮大企业，必须走向国际化、而先进的加工设备是企业实力的象征、完美的检测手段是胜利和品质的保证。我们深知先进的设备是优秀企业必备的条件，公司自成立之初就对生产设备的革新与改造从未有过一丝松懈，同时为设备的改造与革新投入了大量的资金，这些先进的设备给优质生产带来了极大的方便和极高的效益，从而保证了产品的质量，满足了需求。



If you want to strengthen your enterprise, internationalization is necessary. The advanced equipment is the symbol of enterprise's strength and the perfect test facility is assurance of Sincere quality. We deeply know that advanced equipment is inevitable for an outstanding enterprise, we have always kept improving our equipments since our company was built and invested large amount of capital for them, These advanced equipments have brought us with great convenience. Thus, it assure our products' quality and fit the market's need.



&gt;&gt;&gt;

# TXM SERIES

## DISTRIBUTION BOX(IRON BASE)

配电箱 (铁座)

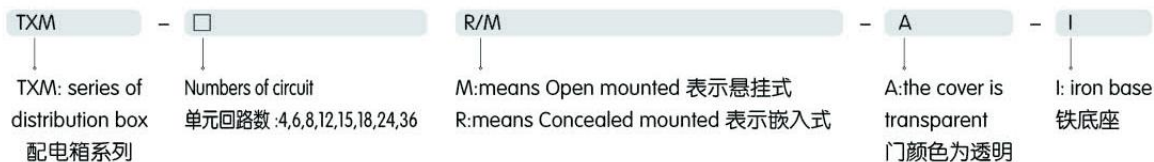


Overall panel design is luxury and attractive, the face covering colors are dark green and brown (provided according to the color needs of the different interior residential designs except for the standard colors). The design of the face covering gives a noble and elegant feeling. Pure Ivory, high strength, never change color, transparent material is PC. Fixed frame, simple structure, and easy installation.

整个面板设计豪华美观，面盖颜色分别为墨绿色和茶色（除标准颜色外，可按不同室内家居设计的颜色需要而提供）。面盖弧线型的设计更是给人一种高贵典雅的感觉。纯象牙色，强度高，永不变色，透明材料为pc。固定的机架，结构简单，便于安装。



## Model Description / 型号说明

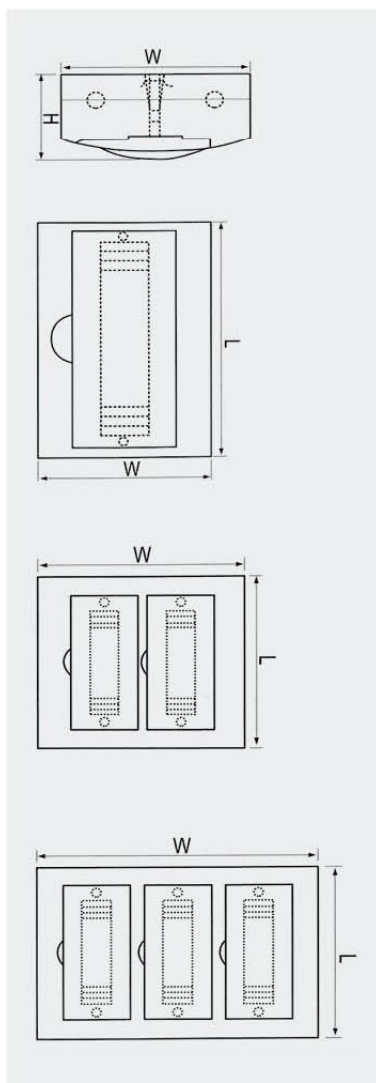


## Parameters / 参数

- ※ Rated current: 63 (A)                      ※ 额定电流 : 63(A)
- ※ Short-circuit making current: 10 (KA)    ※ 短路关合电流 : 10(KA)
- ※ Shell protection grade: IP40;              ※ 壳体防护等级 : IP40
- ※ Shell material: ABS polymeric carbon    ※ 外壳材质 : ABS 聚碳
- ※ Color: White                                    ※ 颜色 : 白色
- ※ Face covering: Transparent                ※ 面盖 : 透明



## Product size/ 产品尺寸



### Surface 明装

Model 型号	Dimensions 尺寸		
	L 长 (mm)	W 宽 (mm)	H 高 (mm)
TXM-4RAI	110	199	93
TXM-6RAI	147	199	95
TXM-8RAI	184	199	97
TXM-10RAI	220	200	99
TXM-12RAI	256	199	95
TXM-15RAI	312	200	98
TXM-18RAI	361	220	98
TXM-24RAI	270	325	100
TXM-36RAI	270	459	100

### Flush 暗装

Model 型号	Dimensions 尺寸		
	L 长 (mm)	W 宽 (mm)	H 高 (mm)
TXM-4MAI	135	221	85
TXM-6MAI	171	221	87
TXM-8MAI	206	220	86
TXM-10MAI	243	220	90
TXM-12MAI	280	222	88
TXM-15MAI	335	222	86
TXM-18MAI	400	253	98
TXM-24MAI	300	344	98
TXM-36MAI	299	481	96

# TXM SERIES

## DISTRIBUTION BOX(PLASTIC)

配电箱（塑料座）



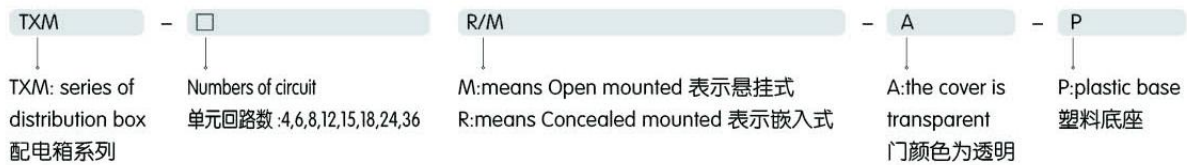
Overall panel design is luxury and attractive, the face covering colors are dark green and brown (provided according to the color needs of the different interior residential designs except for the standard colors). The design of the face covering gives a noble and elegant feeling. Pure Ivory, high strength, never change color, transparent material is PC. Fixed frame, simple structure, and easy installation.

整个面板设计豪华美观，面盖颜色分别为墨绿色和茶色（除标准颜色外，可按不同室内家居设计的颜色需要而提供）。面盖弧线型的设计更是给人一种高贵典雅的感觉。纯象牙色，强度高，永不变色，透明材料为pc。固定的机架，结构简单，便于安装。





## Model Description / 型号说明

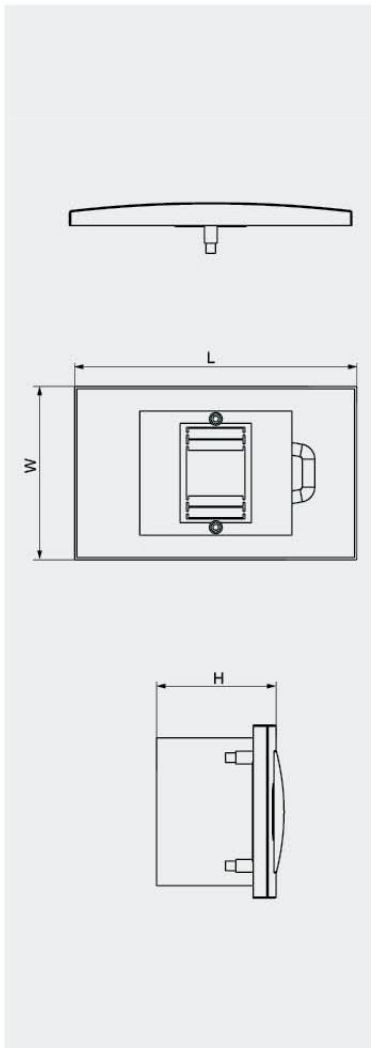


## Parameters / 参数

- |   |                  |
|---|------------------|
| ※ Rated current: 63 (A)                 | ※ 额定电流: 63(A)    |
| ※ Short-circuit making current: 10 (KA) | ※ 短路关合电流: 10(KA) |
| ※ Shell protection grade: IP40;         | ※ 壳体防护等级: IP40   |
| ※ Shell material: ABS polymeric carbon  | ※ 外壳材质: ABS 聚碳   |
| ※ Color: White                          | ※ 颜色: 白色         |
| ※ Face covering: Transparent            | ※ 面盖: 透明         |



## Product size/ 产品尺寸



### Surface 明装

Model 型号	Dimensions 尺寸		
	L 长 (mm)	W 宽 (mm)	H 高 (mm)
TXM-2RAP	94	146	87
TXM-4RAP	110	199	93
TXM-6RAP	147	199	95
TXM-8RAP	184	199	97
TXM-10RAP	220	200	99
TXM-12RAP	256	199	95
TXM-15RAP	312	200	98
TXM-18RAP	361	220	98
TXM-24RAP	270	325	100
TXM-36RAP	270	459	100

### Flush 暗装

Model 型号	Dimensions 尺寸		
	L 长 (mm)	W 宽 (mm)	H 高 (mm)
TXM-2MAP	94	146	87
TXM-4MAP	135	221	85
TXM-6MAP	171	221	87
TXM-8MAP	206	220	86
TXM-10MAP	243	220	90
TXM-12MAP	280	222	88
TXM-15MAP	335	222	86
TXM-18MAP	400	253	98
TXM-24MAP	300	344	98
TXM-36MAP	299	481	96

# SHPN SERIES

## WATERPROOF DISTRIBUTION BOX

防水配电箱

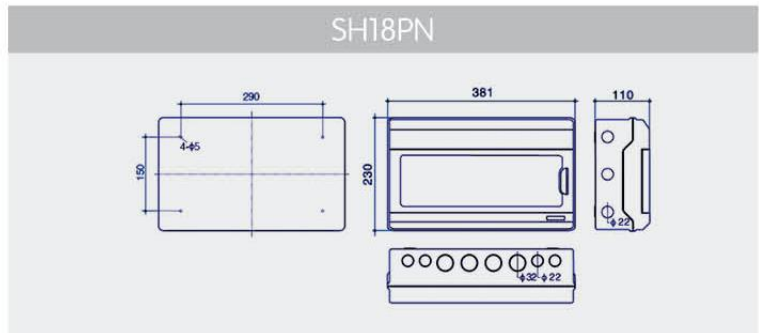
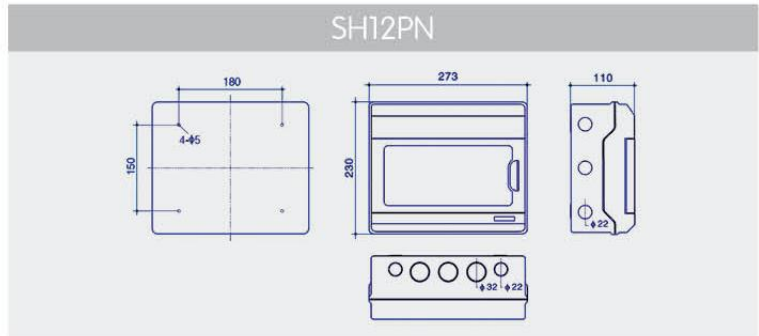
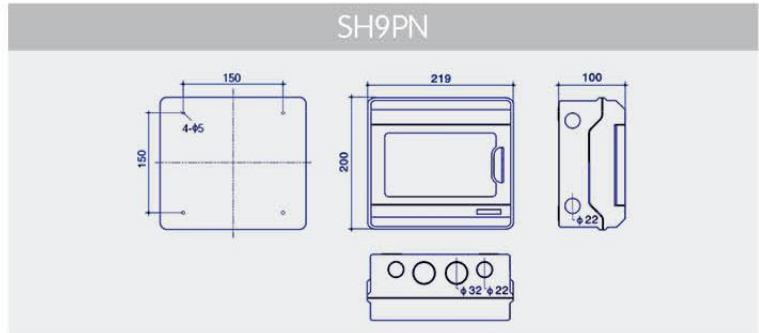
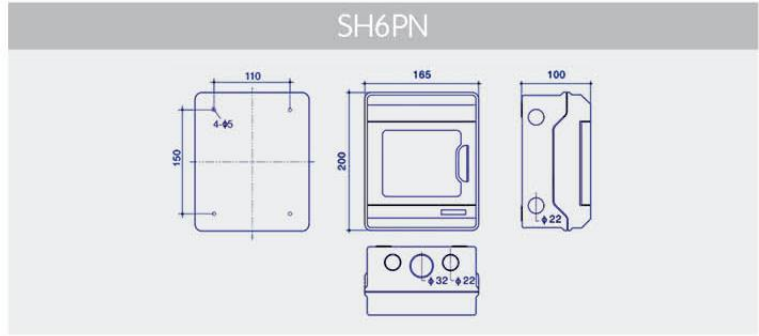
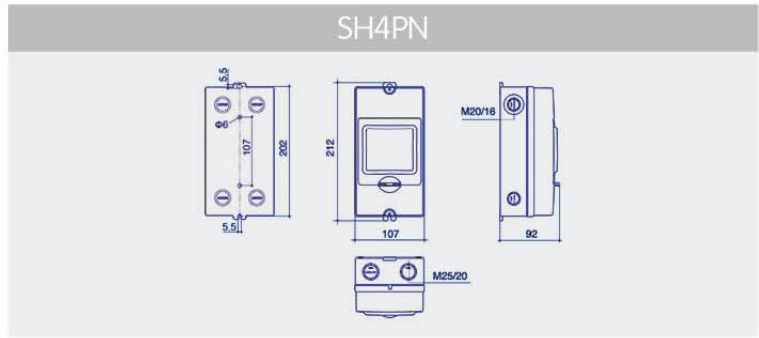


High-end distribution box, Overall panel design is luxury and attractive. The material is PC which makes it really resistant, fireproof and UV protection. Fixed frame, simple structure, and easy to install.

整个面板设计豪华美观，材料为PC，可以起到阻燃，抗紫外线功能，固定的机架，结构简单，便于安装。

- ◎ It is applicable for special waterproof, dustproof and corrosion-proof locations  
适用于防水、防尘、防腐蚀等特殊场合
- ◎ Executive standard/ 符合标准  
IEC60529 EN 60309 IP65





XUCKY

>>>

# HT SERIES

WATER PROOF  
DISTRIBUTION  
BOX(IP65)

防水配电箱 (IP65)



HT Series lighting box is in line with IEC-493-1 standard, attractive and durable, safe and reliable, which is widely used in various places such as factory, mansion, residence, shopping center and so on.

HT 系列照明箱符合 IEC-493-1 标准，美观耐用，安全可靠，广泛用于工厂、大厦、住宅、商场等各类场所。



## Features/ 特点

※ Panel is the ABS material for the engineering, high strength, never change color, the transparent material is PC.

※ Cover push-type opening and closing

Face covering of the distribution box adopts the push-type opening and closing mode, the face mask can be opened by pressing lightly, the self-locking positioning hinge structure is provided when opening.

※ Wiring design of the power distribution box

The guide rail support plate can be lifted to the highest movable point, it is no longer limited by the narrow space when installing the wire. To install easily, the switch of the distribution box is set up with the wire groove and wire pipe exit-holes, which are easy to use for a variety of wire grooves and wire pipes.

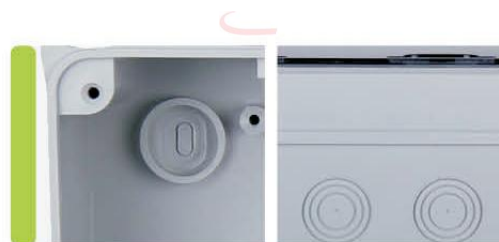
※ 面板为工程 ABS 材料，强度高，永不变色，透明材料为 PC。

※ 盖按压式开闭

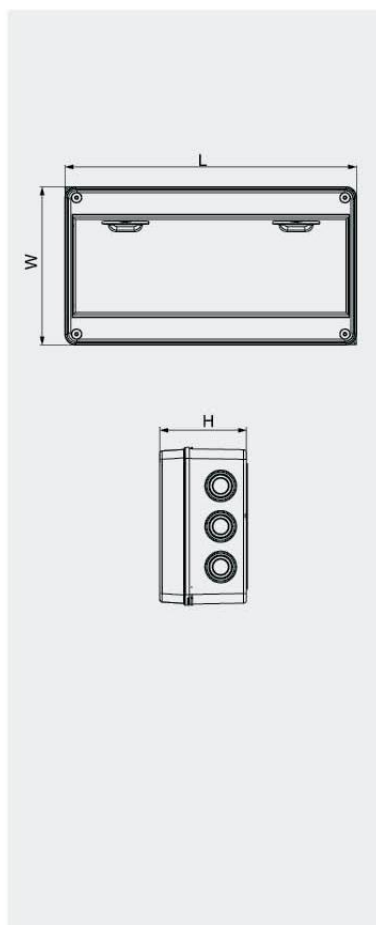
配电箱面盖采用按压式开闭方式，只需轻按即可开启面罩，揭开时有自锁定位的合页结构。

※ 配电箱装线设计

可将导轨支撑板升到活动的最高点，安装导线时不再受狭窄空间限制，令安装容易配电箱开关设有线槽、线管出孔，易于使用各种线槽、线管。



## Product size/ 产品尺寸



Model 型号	Dimensions 尺寸		
	L 长 (mm)	W 宽 (mm)	H 高 (mm)
HT-5P	119	159	90
HT-8P	201	155	90
HT-12P	255	198	108
HT-15P	309	198	108
HT-18P	363	198	108



# HA SERIES

WATER PROOF  
DISTRIBUTION  
BOX(IP65)

防水配电箱 (IP65)

HA Series lighting box is in line with IEC-493-1 standard, attractive and durable, safe and reliable, which is widely used in various places such as factory, mansion, residence, shopping center and so on.

HA 系列照明箱符合 IEC-493-1 标准, 美观耐用, 安全可靠, 广泛用于工厂、大厦、住宅、商场等各类场所。



## Features/ 特点

※ Panel is the ABS material for the engineering, high strength, never change color, the transparent material is PC.

※ Cover push-type opening and closing

Face covering of the distribution box adopts the push-type opening and closing mode, the face mask can be opened by pressing lightly, the self-locking positioning hinge structure is provided when opening.

※ Wiring design of the power distribution box

The guide rail support plate can be lifted to the highest movable point, it is no longer limited by the narrow space when installing the wire. To install easily, the switch of the distribution box is set up with the wire groove and wire pipe exit-holes, which are easy to use for a variety of wire grooves and wire pipes.

※ 面板为工程 ABS 材料，强度高，永不变色，透明材料为 PC。

※ 盖按压式开闭

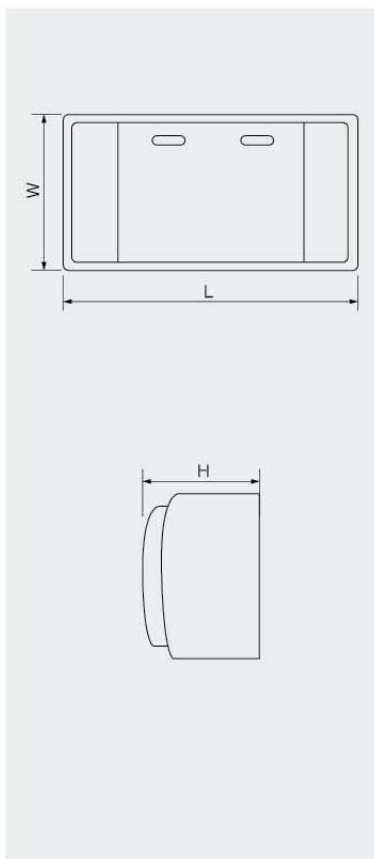
配电箱面盖采用按压式开闭方式，只需轻按即可开启面罩，揭开时有自锁定位的合页结构。

※ 配电箱装线设计

可将导轨支撑板升到活动的最高点，安装导线时不再受狭窄空间限制，令安装容易配电箱开关设有线槽、线管出孔，易于使用各种线槽、线管。



## Product size/ 产品尺寸



Model 型号	Dimensions 尺寸		
	L 长 (mm)	W 宽 (mm)	H 高 (mm)
HA-4P	140	210	100
HA-8P	215	210	100
HA-12P	300	260	140
HA-18P	410	285	140
HA-24P	415	300	140



XUCKY

# HK SERIES

WATER PROOF  
DISTRIBUTION  
BOX(IP65)

防水配电箱 (IP65)

HK Series lighting box is in line with IEC-493-1 standard, attractive and durable, safe and reliable, which is widely used in various places such as factory, mansion, residence, shopping center and so on.

HK 系列照明箱符合 IEC-493-1 标准，美观耐用，安全可靠，广泛用于工厂、大厦、住宅、商场等各类场所。





## Features/ 特点

※ Panel is the ABS material for the engineering, high strength, never change color, the transparent material is PC.

※ Cover push-type opening and closing

Face covering of the distribution box adopts the push-type opening and closing mode, the face mask can be opened by pressing lightly, the self-locking positioning hinge structure is provided when opening.

※ Wiring design of the power distribution box

The guide rail support plate can be lifted to the highest movable point, it is no longer limited by the narrow space when installing the wire. To install easily, the switch of the distribution box is set up with the wire groove and wire pipe exit-holes, which are easy to use for a variety of wire grooves and wire pipes.

※ 面板为工程 ABS 材料，强度高，永不变色，透明材料为 PC。

※ 盖按压式开闭

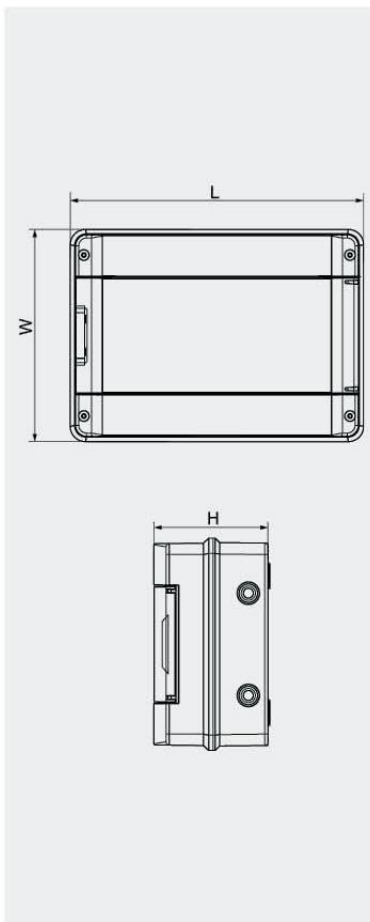
配电箱面盖采用按压式开闭方式，只需轻按即可开启面罩，揭开时有自锁定位的合页结构。

※ 配电箱装线设计

可将导轨支撑板升到活动的最高点，安装导线时不再受狭窄空间限制，令安装容易配电箱开关设有线槽、线管出孔，易于使用各种线槽、线管。



## Product size/ 产品尺寸



Model 型号	Dimensions 尺寸		
	L 长 (mm)	W 宽 (mm)	H 高 (mm)
HK-5P	140	140	105
HK-8P	195	195	105
HK-12P	268	195	105
HK-18P	370	195	105



XUCKY

# SH SERIES

## DISTRIBUTION BOX

配电箱

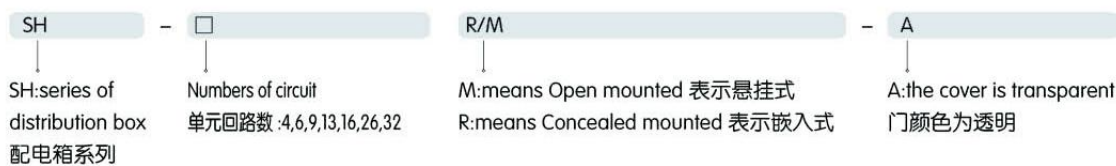


SH series of luxury lighting box is divided into two kinds, Concealed mounted type and Open mounted type. It is with plastic panel and iron bottom. Two terminals (ground connection and zero connection) in the box are easy for the user wiring and routing. This product is applicable to the modular terminal circuit with AC of 50HZ, rated voltages of 220V and 380V.

豪华型照明箱分暗装和明装两种。采用塑料面板和铁底。箱内接零接地两条端子便于用户接线和走线。适用于交流 50HZ，额定电压 220V、380V 的模数化终端电路中。



## Model Description / 型号说明

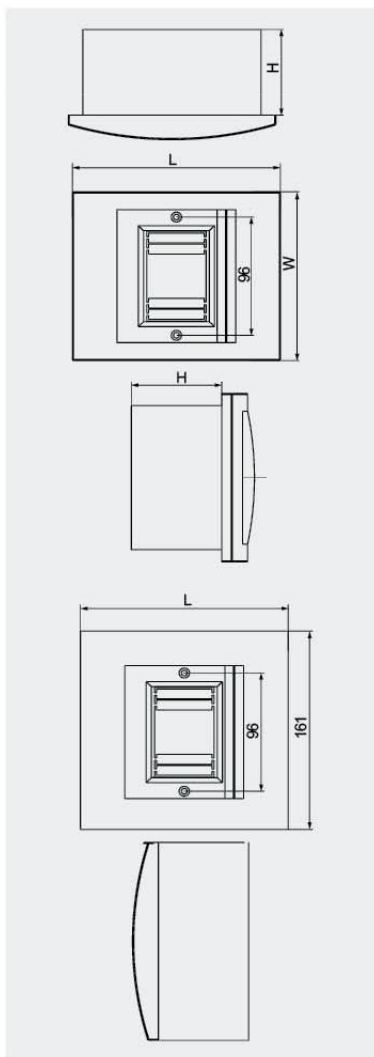


## Features / 特点

- ※ Humanized circuitry symbols,printed display of control circuit breaker, clear and elegant.
  - ※ The guide-rail shoe plate has round hole, it is able to regulate the cover of distribution box to level position.
  - ※ The distribution box is able to regulate the height automatically within a certain range from the outer wall.
- ※ 人性化线路标识,印制显示断路器控制回路,清晰美观。
  - ※ 导轨支撑板设有圆孔,可将配电箱面调至水平位置。
  - ※ 配电箱可在安装深度距离外墙一定范围之内自行调和高度。



## Product size/ 产品尺寸



### Surface 明装

Model 型号	Dimensions 尺寸		
	L 长 (mm)	W 宽 (mm)	H 高 (mm)
SH-2-4MA	137	161	82
SH-4-6MA	208	208	95
SH-7-9MA	261	208	95
SH-10-13MA	334	208	95
SH-14-16MA	390	208	95
SH-20-26MA	334	416	95
SH-28-32MA	390	416	95

### Flush 暗装

Model 型号	Dimensions 尺寸		
	L 长 (mm)	W 宽 (mm)	H 高 (mm)
SH-2-4RA	137	161	82
SH-4-6RA	208	208	95
SH-7-9RA	261	208	95
SH-10-13RA	334	208	95
SH-14-16RA	390	208	95
SH-20-26RA	334	416	95
SH-28-32RA	390	416	95

# SN SERIES

## DISTRIBUTION BOX

配电箱

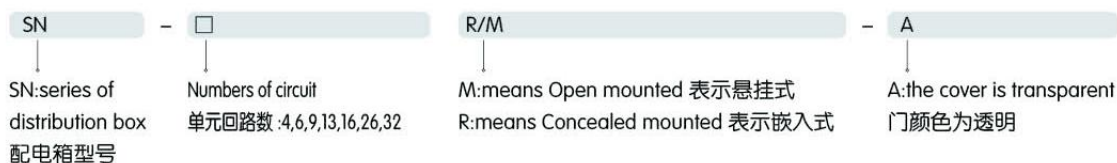


SN series of luxury lighting box is divided into two kinds, concealed mounted type and open mounted type. It is with plastic panel and iron bottom. Two terminals (ground connection and zero connection) in the box are easy for the user wiring and routing. This product is applicable to the modular terminal circuit with AC of 50HZ, rated voltages of 220V and 380V.

豪华型照明箱分暗装和明装两种。采用塑料面板和铁底。箱内接零接地两条端子便于用户接线和走线。适用于交流 50HZ, 额定电压 220V、380V 的模数化终端电路中。



## Model Description / 型号说明

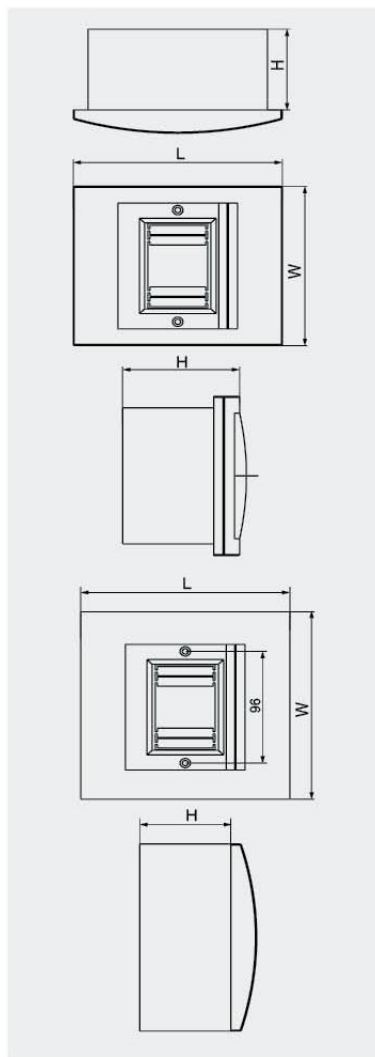


## Features / 特点

- ※ Design of super-large and clear luminous bars,soft and elegant outline.
- ※ Humanized circuitry symbols, printed display of control circuit breaker, clear and elegant.
- ※ The guide-rail shoe plate has round hole, it is able to regulate the cover of distribution box to level position.
- ※ 超大清晰夜光条设计, 产品外观线条柔和、时尚、优美。
- ※ 人性化线路标识, 印制显示断路器控制回路, 清晰美观。
- ※ 导轨支撑板设有圆孔, 可将配电箱面该调至水平位置。



## Product size/ 产品尺寸



### Surface 明装

Model 型号	Dimensions 尺寸		
	L 长 (mm)	W 宽 (mm)	H 高 (mm)
SN-2-4MA	137	161	82
SN-4-6MA	208	208	95
SN-7-9MA	261	208	95
SN-10-13MA	334	208	95
SN-14-16MA	390	208	95
SN-20-26MA	334	416	95
SN-28-32MA	390	416	95

### Flush 暗装

Model 型号	Dimensions 尺寸		
	L 长 (mm)	W 宽 (mm)	H 高 (mm)
SN-2-4RA	137	161	82
SN-4-6RA	208	208	95
SN-7-9RA	261	208	95
SN-10-13RA	334	208	95
SN-14-16RA	390	208	95
SN-20-26RA	334	416	95
SN-28-32RA	390	416	95

# HAG II SERIES

## DISTRIBUTION BOX

配电箱



HAG II series of surface box is kind of good-looking outline small volume.easy to install economically modular distribution box. It mainly use for building electric distribution system's installation,matched and house rebuild fitment etc application The Max rated current is 63A.

海格明装系列是一种外观优美，体积轻巧，便于安装的经济型配电箱。主要用于建筑配电系统的安装，房屋建造的设备安装等。最大额定电流为 63A。



## Parameters / 参数

### ※ Technique parameter

Distribution box rated current:

1 way to 4 way:50A

6 way to 18 way:63A

### ※ Material

Insulation:Fire-proof type refractory material

Color:White color

Standard:accord with IEC 060439-3

### ※ Protective Degree

IEC60529:IP30

Fire-resistant and anomaly heat ability

IEC60529-1 standard,650C/30sec

### ※ Composition,structure.

Removable matte blocks to increase the poles.

The removable various size holes are available on the box of up and down,bottom in case of connecting wires in and out.

### ※ 技术参数

配电箱额定电流:

1回路到4回路:50A

6回路到18回路:63A

### ※ 材料

绝缘:阻燃耐熔材料

颜色:白色

标准:符合IEC标准

### ※ 保护等级

IEC60529:IP30

阻燃且耐高温

标准:IEC60529-2-1

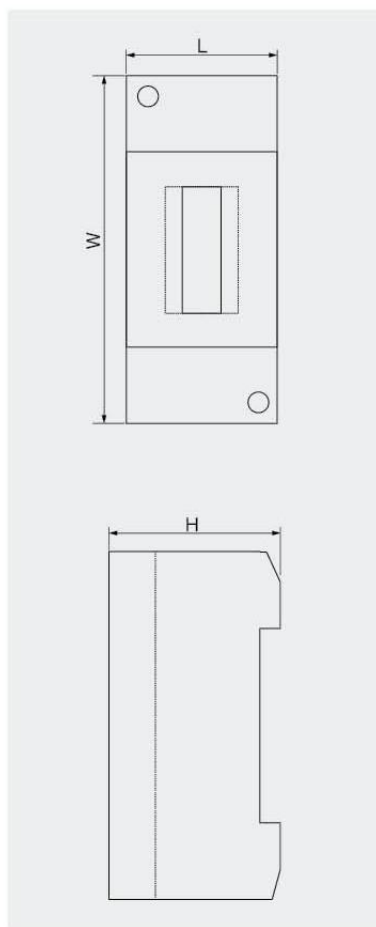
### ※ 结构

可移动式模块,可增加回路数。

在箱体的上下及侧面有可移动的,各种尺寸的安装孔,以便于线路进出。



## Product size/ 产品尺寸



Model 型号	Dimensions 尺寸		
	L 长 (mm)	W 宽 (mm)	H 高 (mm)
HAG II -1P	34	130	60
HAG II -2P	52	130	60
HAG II -4P	87	130	60
HAG II -6P	125	160	60
HAG II -8P	160	160	60
HAG II -12P	258	160	60
HAG II -18P	365	160	60



XUCKY

# 56CB4N SERIES

4 POLE IP66  
ENCLOSURE

It offers maximum 4 pole space to accommodate MCB, RCD or MCB/RCD combination. its cover assemblies suits all 66series mounting back box. Deep cover of 56CB4N provides ample wiring room above and below the din rail.





## Technical Parameter

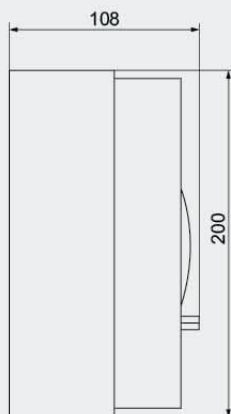
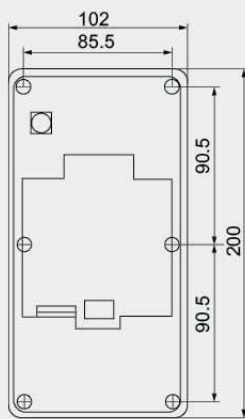
- ※ Ratea Voltage:250/440V AC
- ※ Ratea Frequency:50/60Hz
- ※ IP Protection:IP66



## Approvals

CE

## Specification



Cat No.	Description	Module Type	IP Rating
56CB4N	available for 1 to 4 pole, with neon lamp	MCB+RCD's	IP66



# JK SERIES

## JUNCTION BOX

防水接线盒



JK Series Junction boxes are made in puncture-resistance high-strength engineering plastics, which has features of waterproof, dampproof, dustproof and anti-corrosion. This superior engineering material meets the high requirements of industrial distributing system, such as all insulation, IP rating as high as IP65, anti-corrosion, high mechanical strength, well designed, easily installation, anti-heat, maintenance free, flame retardant, self-extinction, light weight and etc. The long-term economic benefit is higher than normal metal distribution boxes. So it's high quality with reasonable prices. The main products are as following:

JK 接线盒产品，广泛采用耐撞击高强度工程塑料而使其产品具有防水防潮、防尘及耐腐蚀的特点。这种优质的高级工程材料以理想的方式达到了建筑及工业配电系统所提出的较高要求：全绝缘、高达 IP65 防护等级、耐腐蚀、机械强度高、设计与装配简单、耐热、免维护、难燃、自熄、重量轻等。其长远经济效益远高于普通的金属外壳配电装置。也就是说综合指标它还是物美价廉的。主要产品有：

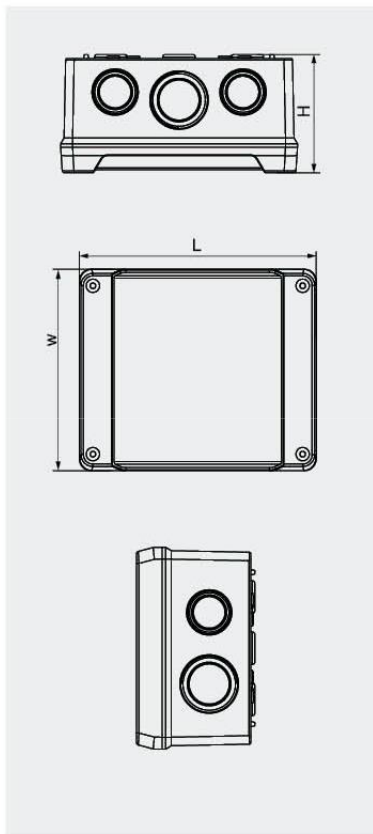


1. JK Junction Box (used for sectional area 1.5mm<sup>2</sup>–240mm<sup>2</sup> of conductors, IP65/IP54);  
 2. Mi Combined Type Distribution Unit (IP65, rating current up to 1000A);

1. JK 分线盒 (适用导线截面积 1.5mm<sup>2</sup>–240mm<sup>2</sup>,IP65/IP54);  
 2. Mi 组合式配电装置 (IP65, 额定工作电流至 1000A);



## Product size/ 产品尺寸



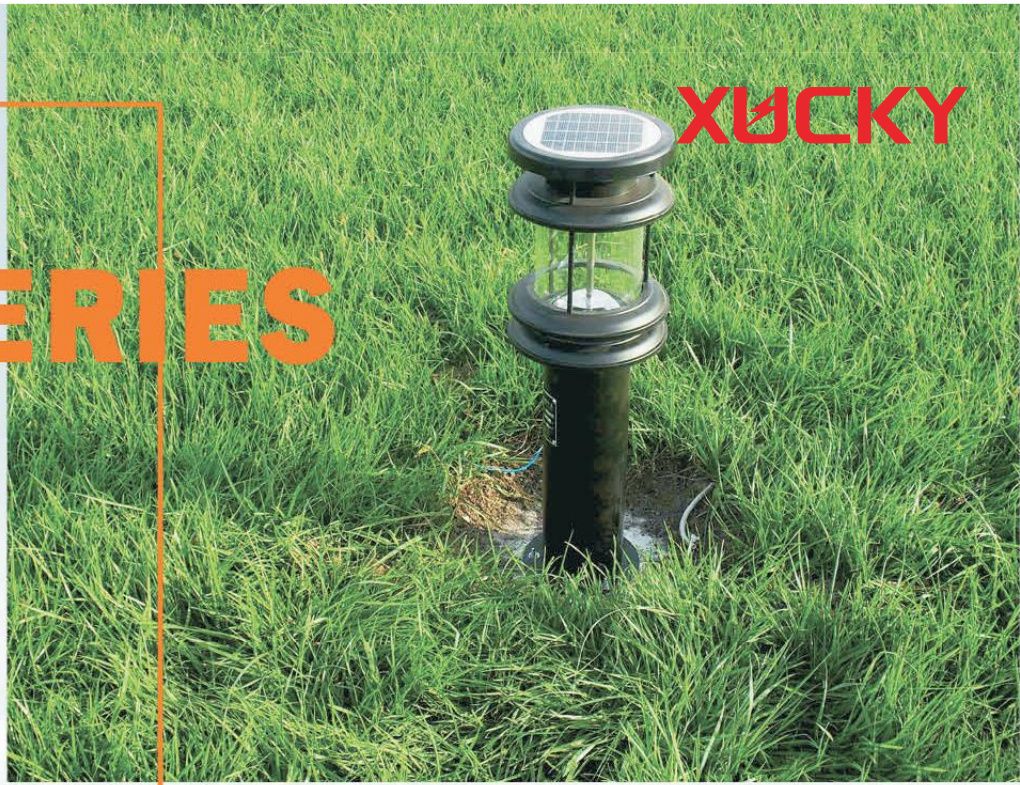
Model 型号	Dimensions 尺寸		
	L 长 (mm)	W 宽 (mm)	H 高 (mm)
9025 (包括 4 个 ESM20 管接头) 9025 (including 4 ESM20 pipe coupling)	88	88	53
9125 (包括 4 个 ESM20 管接头) 9125 (including 4 ESM20 pipe coupling)	88	88	53
9045 (包括 4 个 ESM20 管接头) 9045 (including 4 ESM20 pipe coupling)	98	98	61
9065 (包括 4 个 ESM20 管接头) 9065 (including 4 ESM20 pipe coupling)	119	139	70
9105 (包括 4 个 ESM20 管接头) 9105 (including 4 ESM20 pipe coupling)	125	167	82
9255 (包括 4 个 ESM20 管接头) 9255 (including 4 ESM20 pipe coupling)	160	200	98
9355 (包括 4 个 ESM20 管接头) 9355 (including 4 ESM20 pipe coupling)	210	260	117
9505 (包括 4 个 ESM20 管接头) 9505 (including 4 ESM20 pipe coupling)	310	210	117



LUCKY

# UKF SERIES

WEATHER  
PROTECTED  
SWITCH

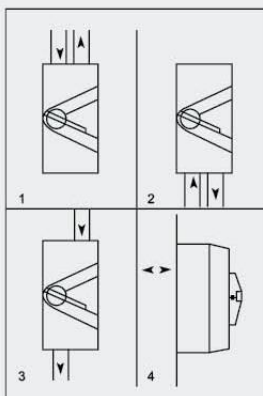
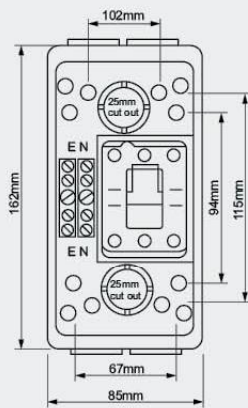


## General

- ※ Cables looped in and out from overhead
- ※ In and out from underground
- ※ In and out straight through the switch
- ※ two 25mm rear knockouts are moulded in the base for surface mounting with concealed wiring.



## Specification



Dual 25mm screwd conduit entries top and bottom (up to 55amp.) allows four ways to surface wire the switch.

## Products Available

	Products Available	IP Rating
UKF1-20	20A 500V Single pole surface switch. Terminals accommodate 16mm <sup>2</sup> cable. M Rating 220	65
UKF1-35	35A/63A 250V Single pole. Terminals accommodate mm <sup>2</sup> cable. M rating 220	

## Products Available

	Products Available	IP Rating
UKF2-20	20A 440V double. Trminals accommodate 16mm <sup>2</sup> cables. M Rarting 180.	65
UKF2-35	35A 440V double. Trminals accommodate 16mm <sup>2</sup> cables. M Rarting 180.	
UKF2-63	63A 400V double. Trminals accommodate 16mm <sup>2</sup> cables. M Rarting 180.	

## Products Available

	Products Available	IP Rating
UKF3-20	20A 440V Tripe Pole. Trminals accommodate 16mm <sup>2</sup> cables. M Rarting 180.	65
UKF3-35	35A 440V Tripe Pole. Trminals accommodate 16mm <sup>2</sup> cables. M Rarting 180.	
UKF3-63	55A 440V Tripe Pole. Trminals accommodate 16mm <sup>2</sup> cables. M Rarting 180.	
UKF4-20	20A 440V Tripe Pole. Trminals accommodate 16mm <sup>2</sup> cables. M Rarting 180.	
UKF4-35	35A 440V Tripe Pole. Trminals accommodate 16mm <sup>2</sup> cables. M Rarting 180.	
UKF4-63	55A 440V Tripe Pole. Trminals accommodate 16mm <sup>2</sup> cables. M Rarting 180.	
UKF3-55-32CE	55A 440V Tripe Pole. With 32mm conduit entry at each end Trminals accommodate 16mm <sup>2</sup> cables. M Rarting 160.	
UKF3-63-32CE	63A 440V Tripe Pole. With 32mm conduit entry at each end Trminals accommodate 16mm <sup>2</sup> cables. M Rarting 160.	

# SH-Q3 SERIES

## WATER-PROOF JUNCTION BOX

防水接线盒



It is made of materials such as ABS and PC, etc, elegant external shape, high firmness. Combined body and cover are fixed with four plastic screws that are difficult to fall off. Its specification and size can be designed based on the customer requirements. Economic and affordable. Net weight only accounts for the iron box of about 1/4, to facilitate handling and operation, no corrosion, good insulation.

采用用 ABS、PC 等材料制成，外形美观大方，具有很高的坚固性。合体与盖采用四个不易脱落的塑料螺丝固定。其规格大小可以随客户要求而设计。即经济又实惠。净重只占铁制盒子的 1/4 左右，便于搬运和操作，无腐蚀性，绝缘性佳。



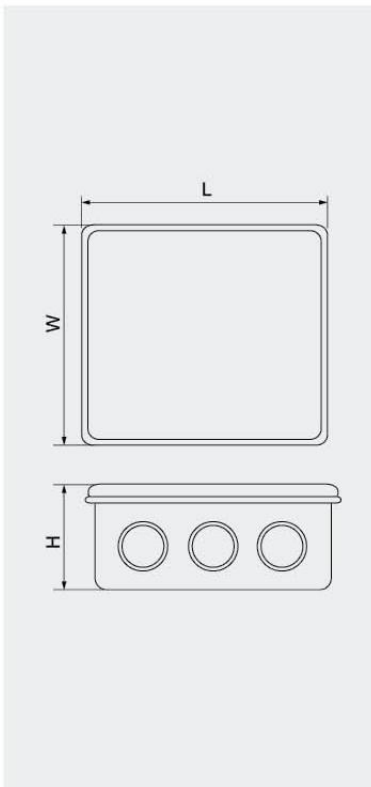
Waterproof junction box purpose: electrical, electronics, communication, fire fighting equipment, control panel, terminal box, large factory, coastal plant, environmental hazard facility, etc.

Materials can be selected according to the customer's requirements.

防水接线盒的用途：电气、电子、通信、消防设备、控制板、端子箱、大型工厂、沿海工厂、环境公害设施等。  
可以按客户的要求来选择材料。



## Product size/ 产品尺寸



Model 型号	Dimensions 尺寸		
	L 长 (mm)	W 宽 (mm)	H 高 (mm)
SH-Q3-801	50		30
SH-Q3-802	50		50
SH-Q3-803	80		50
SH-Q3-804	80	80	50
SH-Q3-805	85	85	50
SH-Q3-806	100	100	70
SH-Q3-807	150	110	70
SH-Q3-808	150	150	70
SH-Q3-809	200	100	110
SH-Q3-8010	200	155	80
SH-Q3-8011	200	100	70
SH-Q3-8012	200	200	80
SH-Q3-8013	255	200	80
SH-Q3-8014	300	250	120
SH-Q3-8015	400	350	120



XUCKY

# KOREAN SERIES

HIGH-END PLASTIC  
WATERPROOF  
JUNCTION BOX

高端塑料防水盒

Passed the testing and certification of CE, RoHS and the protection grade reaches IP67, which is very safe; it won't be fed with water when it is working even if in a heavy rain.

通过 CE、RoHS 检测认证，防护评级达 IP67，即使在作业的时候下起大雨也是不会进水的，非常安全





## Scope of Application/ 适用范围

The waterproof junction box is mainly applicable for interior and outdoor electric, communication, firefighting equipment, iron and steel smelting, petrochemical industry, electronic, electric, railway, construction site. mines, mining areas, airports. hotels. shipping, large factories. coastal factories, discharging quay equipment, treatment facilities of sewage and waste water. as well as environmental hazard facilities etc.

防水接线盒主要适用于室内、室外电气、通信、消防设备、钢铁冶炼、石油化工、电子、电力、铁路、建筑工地、矿山、采矿场、机场、宾馆、船舶、大型工厂、沿海工厂、卸货码头设备、污水处理设施、环境公害设施等。



## Product size/ 产品尺寸

External Size 外形尺寸 (mm) L x W x H	Pcs/Box 只 / 箱	Carton Size(cm) 纸箱尺寸 (cm)
95 x 65 x 55	160	41 x 34 x 45.5
110 x 80 x 70	90	41 x 34 x 45.5
110 x 80 x 85	75	41 x 34 x 45.5
130 x 80 x 70	140	52 x 42 x 52
130 x 80 x 85	120	52 x 42 x 52
100 x 100 x 75	140	52 x 42 x 52
100 x 100 x 100	112	73 x 41 x 39.5
180 x 80 x 70	100	73 x 41 x 39.5
250 x 80 x 70	70	52 x 42 x 52
250 x 80 x 85	60	52 x 42 x 52
125 x 125 x 75	60	51 x 38.5 x 47.5
125 x 125 x 100	72	51 x 38.5 x 47.5
175 x 125 x 75	60	73 x 41 x 39.5
175 x 125 x 100	48	73 x 41 x 39.5
170 x 140 x 95	45	52 x 42 x 52
175 x 175 x 100	36	52 x 42 x 52
200 x 150 x 100	40	62 x 41 x 51.5
200 x 200 x 100	30	62 x 41 x 51.5
250 x 150 x 100	32	62 x 41 x 51.5
280 x 190 x 130	16	57 x 39 x 55.5

## Material of the Product/ 产品材质

© Silicon Rubber Seal 硅胶密封圈

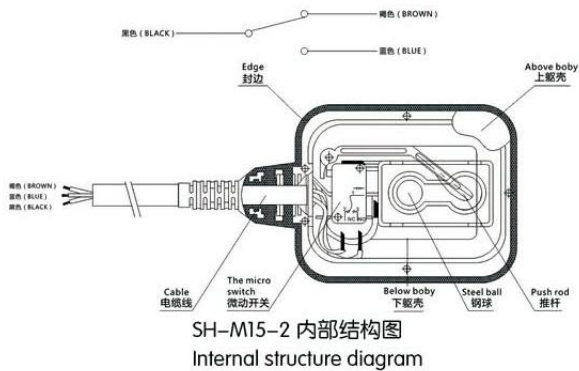
1. Possess excellent sealing performance, waterproof and no leakage;
2. Completely non-toxic and odorless;
3. May be heated under high temperature, non-deformation and not producing hazardous substances;
4. Sound mechanical properties and passed the specialized test;
5. Anti-yellow and fastness under long-term application;
6. corona resistance, arc resistance, high and low temperature resistance, sound aging-resistant performance and high temperature resistance.

1. 具有极好的密封性能，防水不漏。
2. 完全无毒无味。
3. 可置高强度下加热，不变形，不产生有害物质。
4. 良好的抗拉力性能，经过专门检验测试。
5. 长期使用不变黄不褪色。
6. 耐电晕性，耐电弧性、耐高低温、耐老化性能好、耐高温等性能。

## Entrance and Exit Holes/ 进出线孔

Holes may be opened on the waterproof box according to the customers' application requirements (the hole position and size all can be processed according to the customers' specified requirement.) After the holes are opened, the matched waterproof clamped connection may be assembled to achieve the effect of best waterproof.

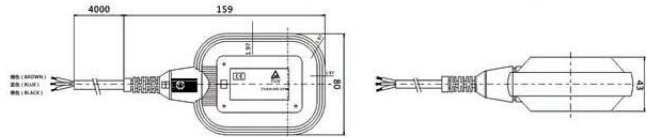
防水盒可以随意根据客户的使用要求在上面开孔，(开孔位置及开孔大小都可以按照客户指定要求加工。)开孔后可以装有配套的防水夹紧接头，达到防水最佳效果。



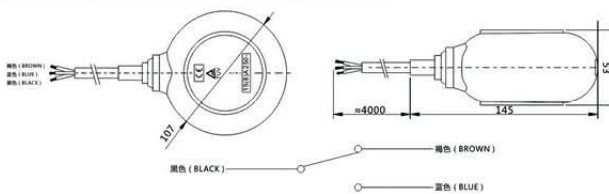
### Technical Data/ 技术参数

型号	SH-M15-2
额定电压	250V~(380V)
额定电流	15(8)A 10(4)A
使用温度	0°C < 水温 ≤ 80°C
机械寿命	≥ 30 万次
电气寿命	≥ 10 万次
防护等级	IP68
电流开关	≥ 50 000 (按 VD 特殊标准测试工作开关)
极限分析能力	250V, 1KW 直流电流
保护连接	Y70U
最大工作压力	1Pa

Rated Voltage: 250V ~ (380V)      Rated Current: 15(8)A 10(4)A  
 Working Tem perature: 0°C < water temperature ≤ 80°C  
 Mechanical Endurance: ≥ 300,000 times  
 Electrical Endurance: ≥ 100,000 times      Protection grade: IP68



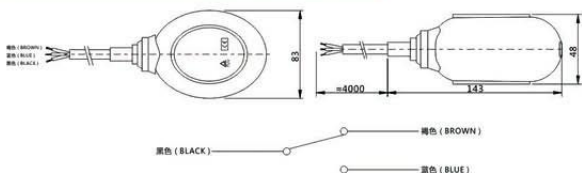
SH-M15-2 外型尺寸图  
External dimension curve



### Technical Data/ 技术参数

型号	SH-M15-3
额定电压	250V~(380V)
额定电流	15(8)A 10(4)A
使用温度	0°C < 水温 ≤ 80°C
机械寿命	≥ 30 万次
电气寿命	≥ 10 万次
防护等级	IP68
电流开关	≥ 50 000 (按 VD 特殊标准测试工作开关)
极限分析能力	250V, 1KW 直流电流
保护连接	Y70U
最大工作压力	1Pa

Rated Voltage: 250V ~ (380V)      Rated Current: 15(8)A 10(4)A  
 Working Tem perature: 0°C < water temperature ≤ 80°C  
 Mechanical Endurance: ≥ 300,000 times  
 Electrical Endurance: ≥ 100,000 times      Protection grade: IP68



### Technical Data/ 技术参数

型号	SH-M15-5
额定电压	250V~(380V)
额定电流	15(8)A 10(4)A
使用温度	0°C < 水温 ≤ 80°C
机械寿命	≥ 30 万次
电气寿命	≥ 10 万次
防护等级	IP68
电流开关	≥ 50 000 (按 VD 特殊标准测试工作开关)
极限分析能力	250V, 1KW 直流电流
保护连接	Y70U
最大工作压力	1Pa

Rated Voltage: 250V ~ (380V)      Rated Current: 15(8)A 10(4)A  
 Working Tem perature: 0°C < water temperature ≤ 80°C  
 Mechanical Endurance: ≥ 300,000 times  
 Electrical Endurance: ≥ 100,000 times      Protection grade: IP68



### Technical Data/ 技术参数

型号	SH-ST-70AB
额定电压	250V ~ (380V)
额定电流	15(10)A 10(5)A
使用温度	-10°C < 水温 ≤ 100°C
机械寿命	≥ 30 万次
电气寿命	≥ 10 万次
防护等级	IP68
电流开关	≥ 50 000 (按 VD 特殊标准测试工作开关)
极限分析能力	250V, 1KW 直流电流
保护连接	Y70U
最大工作压力	1Pa

Rated Voltage: 250V ~ (380V)

Rated Current: 15(10)A 10(5)A

Working Temperature: -10°C < water temperature ≤ 100°C

Mechanical Endurance: ≥ 300,000 times

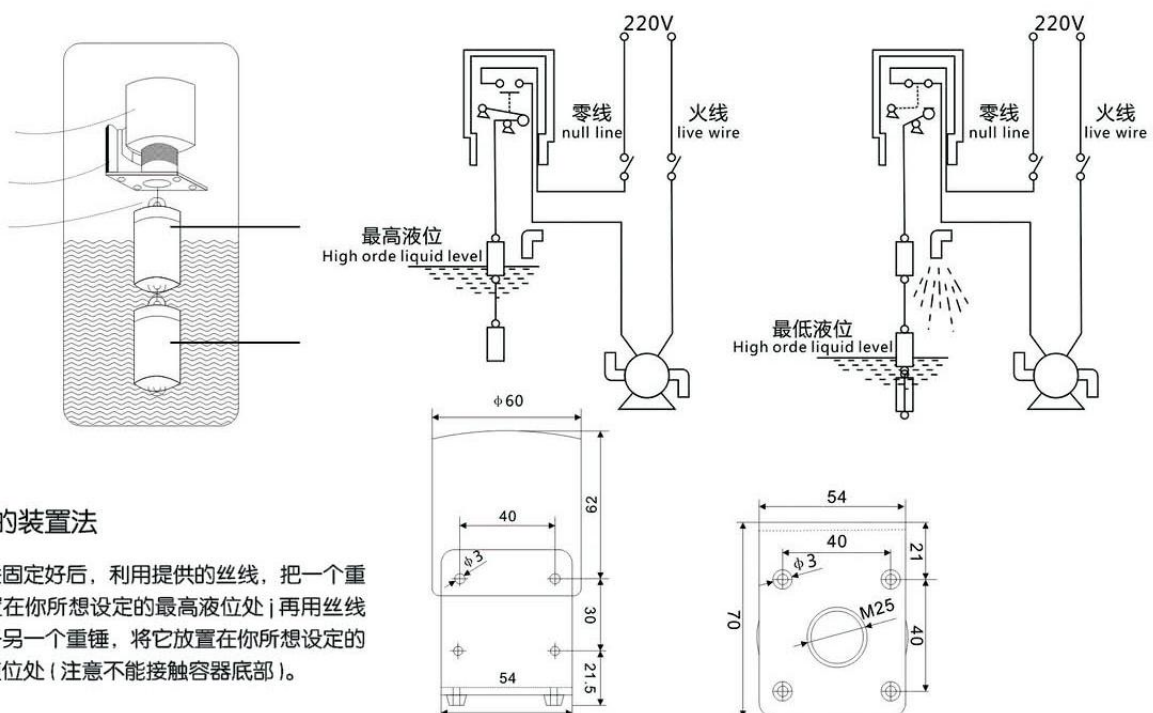
Electrical Endurance: ≥ 100,000 times

Protection grade: IP68

### 性能特点

SH-ST-70AB 型浮球液位控制器是一个能够调节桶、槽或井中液位的开关。它可自动调节、易于操作、便于安装、安全可靠、免于维修、无毒环保。它对污水有抵抗作用。广泛应用于家庭、厂矿等的水池、油、弱酸和弱碱的池、桶、槽、罐等的容器之中，特别适用于小口径（大于 6cm 便可以）类的容器。

### SH-ST-70AB External dimension curve/ 外型尺寸图



### 重锤的装置法

当开关固定好后，利用提供的丝线，把一个重锤放置在你所想设定的最高液位处；再用丝线连结好另一个重锤，将它放置在你所想设定的最低液位处（注意不能接触容器底部）。